

# CORA BIKE RACK

## PRODUCT SPECIFICATION SHEET

### EXPO 4506

- The EXPO 4506 is a rack with compact spacing that can be installed for single or double sided access for maximum capacity
- Shipped fully welded for vandal resistance with no assembly required, includes stainless steel tamper resistant fixings

#### COMPACT SPACING OPTION FOR **MAXIMUM** CAPACITY



DESIGNED FOR  
BIKES WITH



A WHEEL  
DIAMETER OF  
= 24-29"



ANY TYRE  
WIDTH

FENDERS /  
MUDGUARDS

#### SPECIFICATIONS

Capacity	Finish	Fixings	Assembly	Construction	Compliance
Single Side: 5 bikes Double Side: 7 bikes	- Galvanised - 316 stainless - Cora ceramic or powder colour range	2 x M12 x 120mm anchor bolts with tamper resistant fasteners included	Supplied fully welded and assembled	Mainframe: 60.3 OD x 3.2 MD Hangers: 20mm round bar	Not compliant with AS2890.3 (2015) spacings

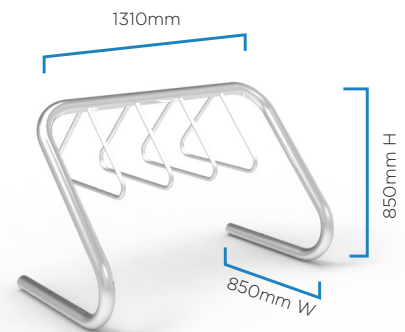
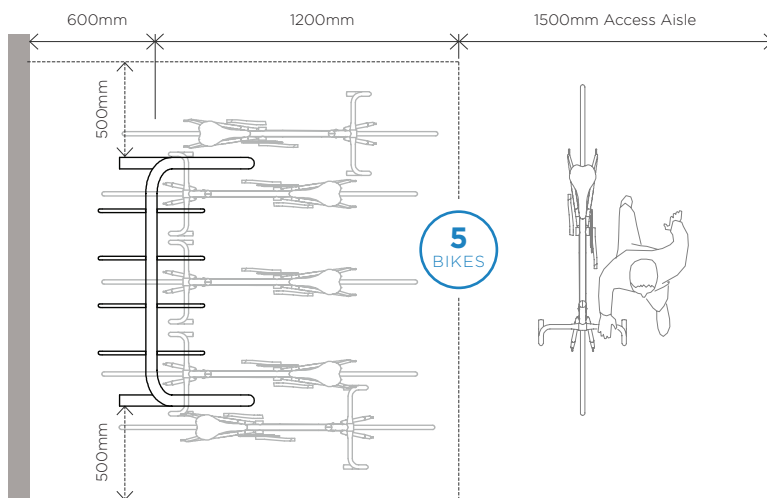
# CORA BIKE RACK

## PRODUCT SPECIFICATION SHEET

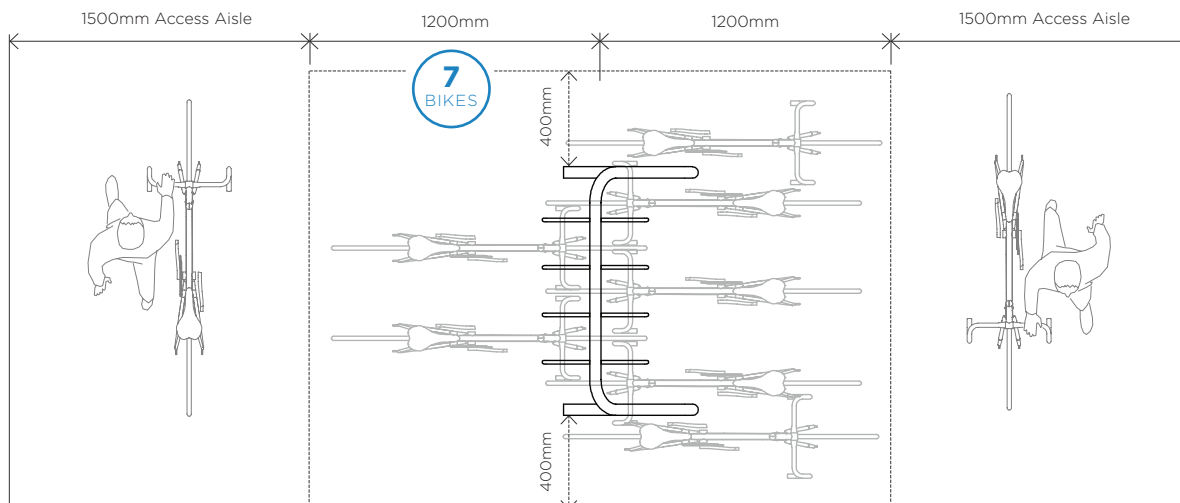
### EXPO 4506

## LAYOUT GUIDE

## SINGLE RACK MAXIMUM CAPACITY



**TOP VIEW - SINGLE SIDE ACCESS**



**TOP VIEW - DOUBLE SIDE ACCESS**

Refer to Installation Instructions sheet for specific installation and assembly guidelines. Racks should **NOT** be installed based on this sheet alone.

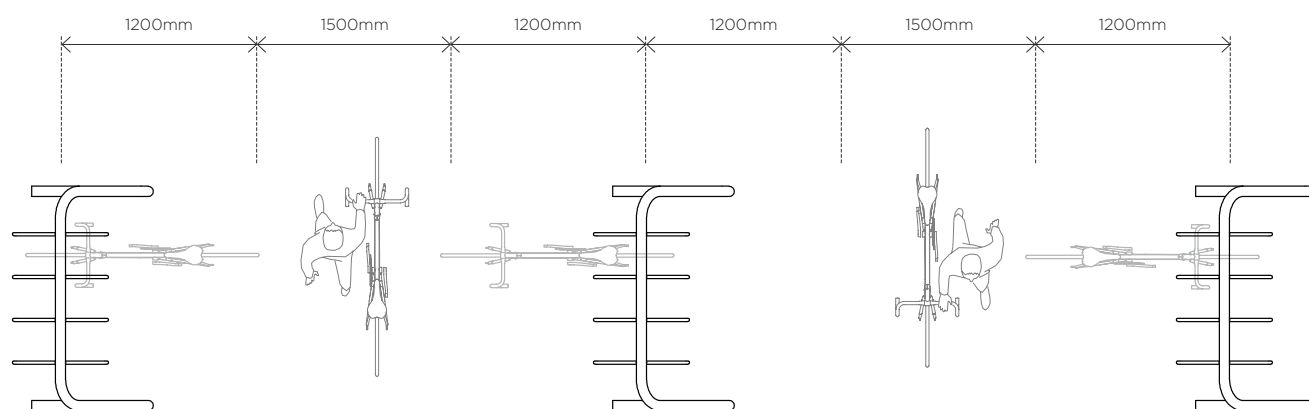
# CORA BIKE RACK

## PRODUCT SPECIFICATION SHEET

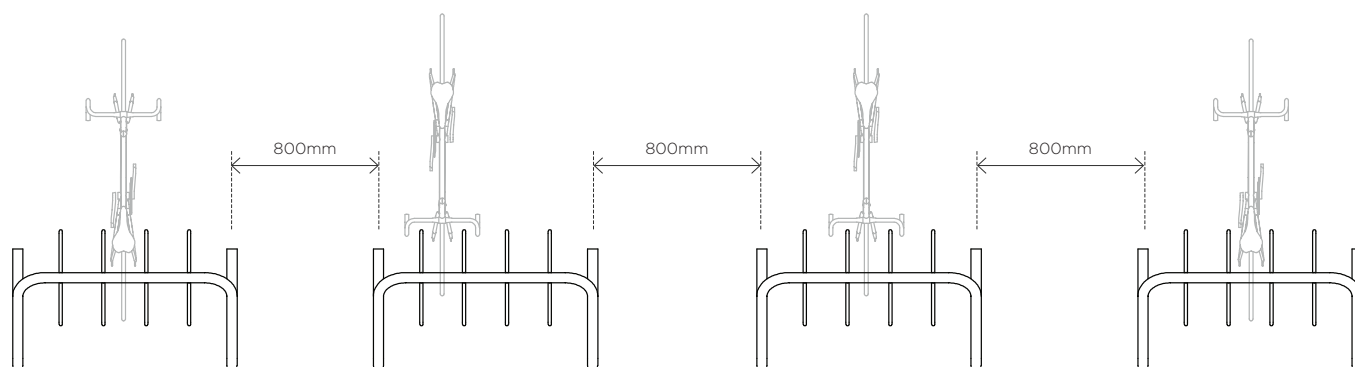
### EXPO 4506

## LAYOUT GUIDE

## MULTIPLE RACKS IN CLUSTER LAYOUT



IN LINE CLUSTER



PARALLEL CLUSTER

Refer to Installation Instructions sheet for specific installation and assembly guidelines. Racks should **NOT** be installed based on this sheet alone.

[sales@cora.com.au](mailto:sales@cora.com.au)  
[www.cora.com.au](http://www.cora.com.au)