

CORA BIKE RACK

PRODUCT SPECIFICATION SHEET

EXPO 3606

- The EXPO 3606 is a rack with compact spacing that can be installed for single or double sided access for maximum capacity
- Shipped fully welded for vandal resistance with no assembly required, includes stainless steel tamper resistant fixings

COMPACT SPACING OPTION FOR **MAXIMUM** CAPACITY



DESIGNED FOR
BIKES WITH



A WHEEL
DIAMETER OF
= 24-29"



ANY TYRE
WIDTH

FENDERS /
MUDGUARDS

SPECIFICATIONS

Capacity	Finish	Fixings	Assembly	Construction	Compliance
Single Side: 4 bikes Double Side: 6 bikes	- Galvanised - 316 stainless - Cora ceramic or powder colour range	2 x M12 x 120mm anchor bolts with tamper resistant fasteners included	Supplied fully welded and assembled	Mainframe: 60.3 OD x 3.2 MD Hangers: 20mm round bar	Not compliant with AS2890.3 (2015) spacings

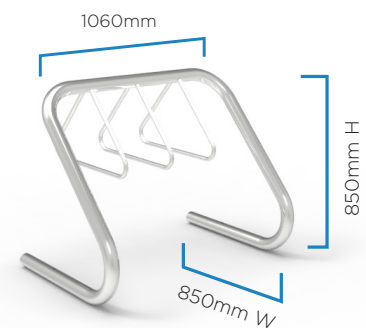
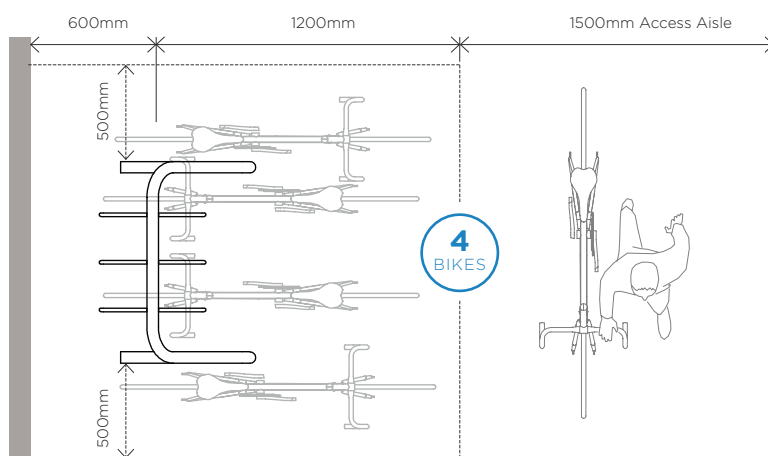
CORA BIKE RACK

PRODUCT SPECIFICATION SHEET

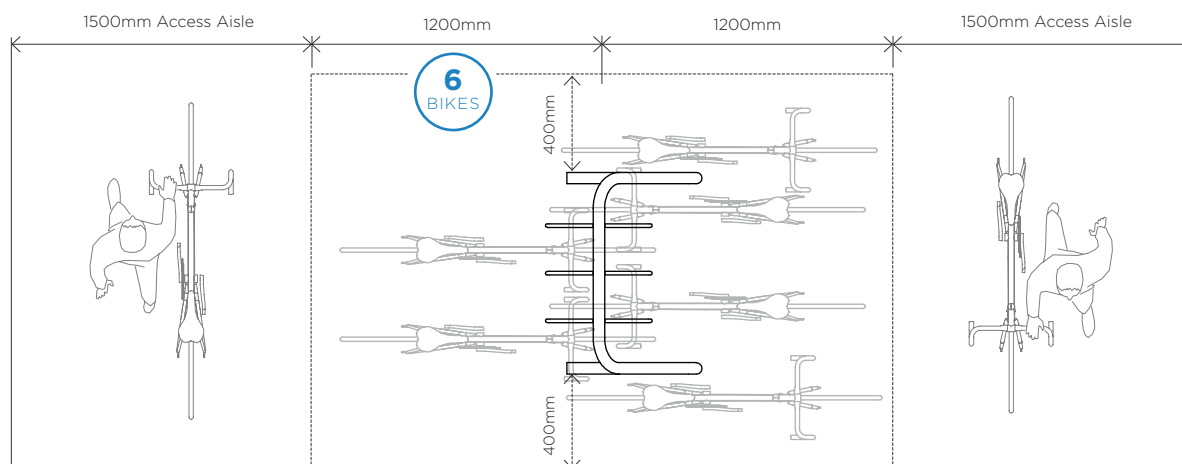
EXPO 3606

LAYOUT GUIDE

SINGLE RACK MAXIMUM CAPACITY



TOP VIEW - SINGLE SIDE ACCESS



TOP VIEW - DOUBLE SIDE ACCESS

Refer to Installation Instructions sheet for specific installation and assembly guidelines. Racks should **NOT** be installed based on this sheet alone.

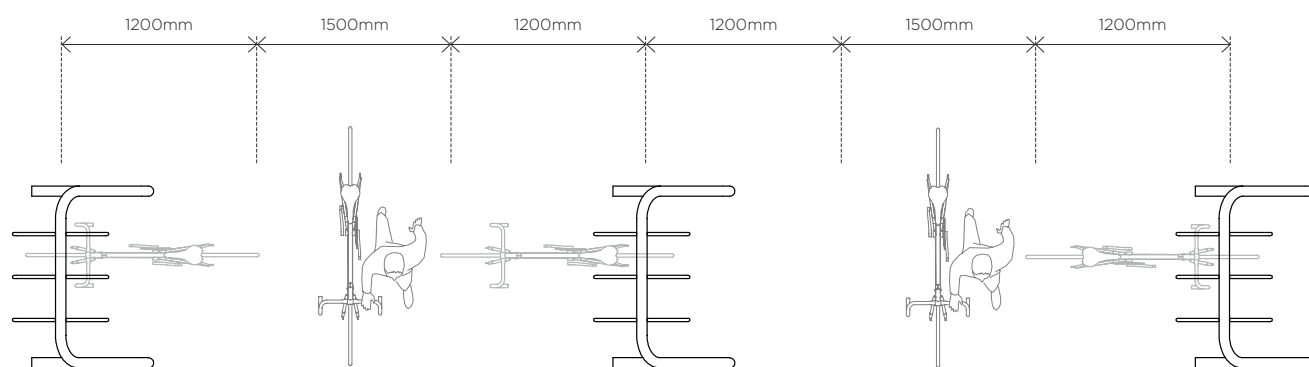
CORA BIKE RACK

PRODUCT SPECIFICATION SHEET

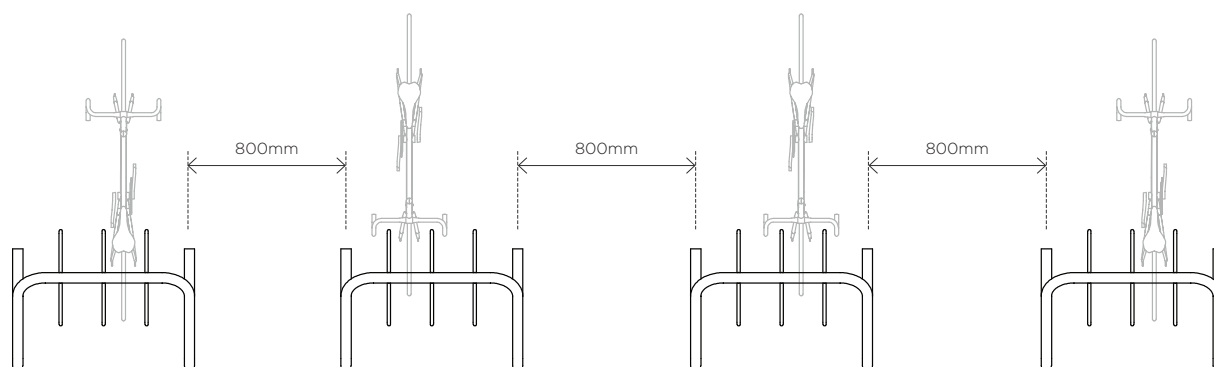
EXPO 3606

LAYOUT GUIDE

MULTIPLE RACKS IN CLUSTER LAYOUT



IN LINE CLUSTER



PARALLEL CLUSTER

Refer to Installation Instructions sheet for specific installation and assembly guidelines. Racks should **NOT** be installed based on this sheet alone.