

# CORA BIKE RACK

## PRODUCT SPECIFICATION SHEET

### EXPO 2704

- The EXPO 2704 is a rack with compact spacing that can be installed for single or double sided access for maximum capacity
- Shipped fully welded for vandal resistance with no assembly required, includes stainless steel tamper resistant fixings

#### COMPACT SPACING OPTION FOR **MAXIMUM** CAPACITY



DESIGNED FOR  
BIKES WITH →



A WHEEL  
DIAMETER OF  
= 24-29"



ANY TYRE  
WIDTH

FENDERS /  
MUDGUARDS

#### SPECIFICATIONS

| Capacity   | Finish  | Fixings  | Assembly                               | Construction   | Compliance  |
|--|---|--|--|--|---|
| Single Side:<br>3 bikes<br>Double Side:<br>5 bikes | - Galvanised<br>- 316 stainless<br>- Cora ceramic or<br>powder colour range | 2 x M12 x 120mm<br>anchor bolts with<br>tamper resistant<br>fasteners included | Supplied fully welded<br>and assembled | Mainframe: 60.3<br>OD x 3.2 MD<br>Hangers: 20mm<br>round bar | Not compliant<br>with AS2890.3<br>(2015) spacings |

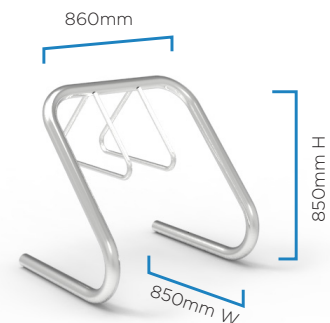
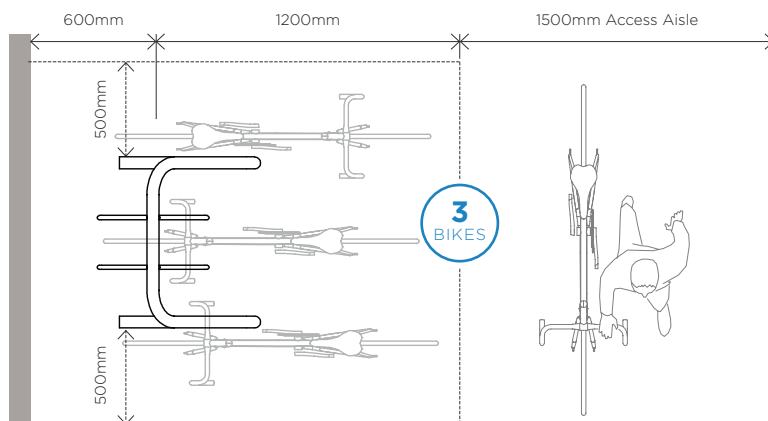
# CORA BIKE RACK

## PRODUCT SPECIFICATION SHEET

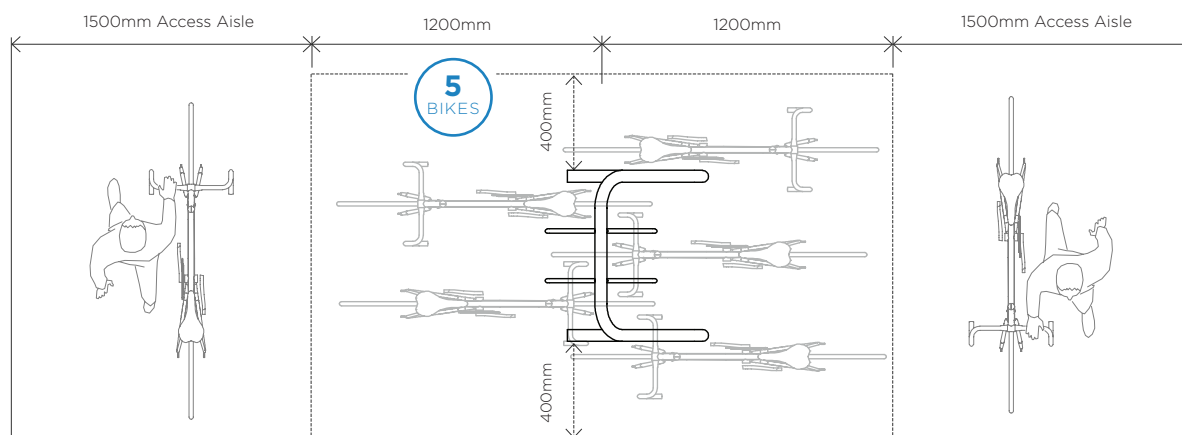
### EXPO 2704

## LAYOUT GUIDE

## SINGLE RACK MAXIMUM CAPACITY



TOP VIEW - SINGLE SIDE ACCESS



TOP VIEW - DOUBLE SIDE ACCESS

Refer to Installation Instructions sheet for specific installation and assembly guidelines. Racks should **NOT** be installed based on this sheet alone.

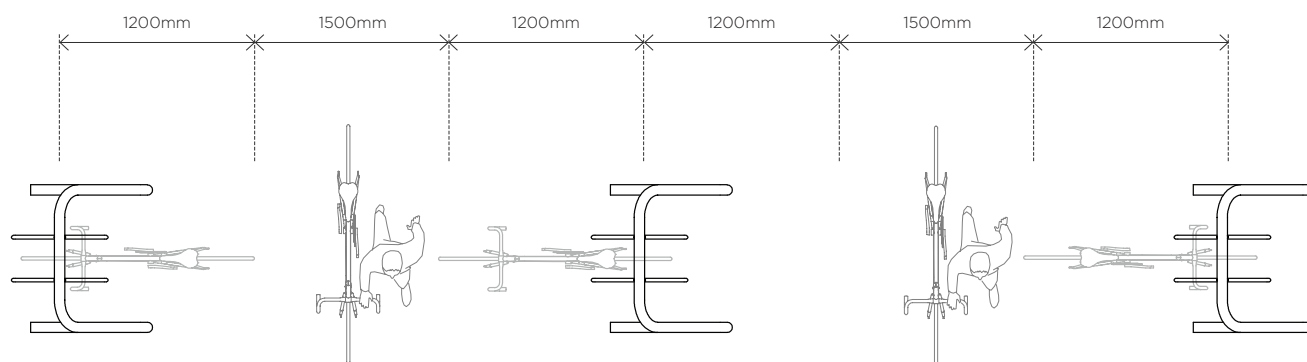
# CORA BIKE RACK

## PRODUCT SPECIFICATION SHEET

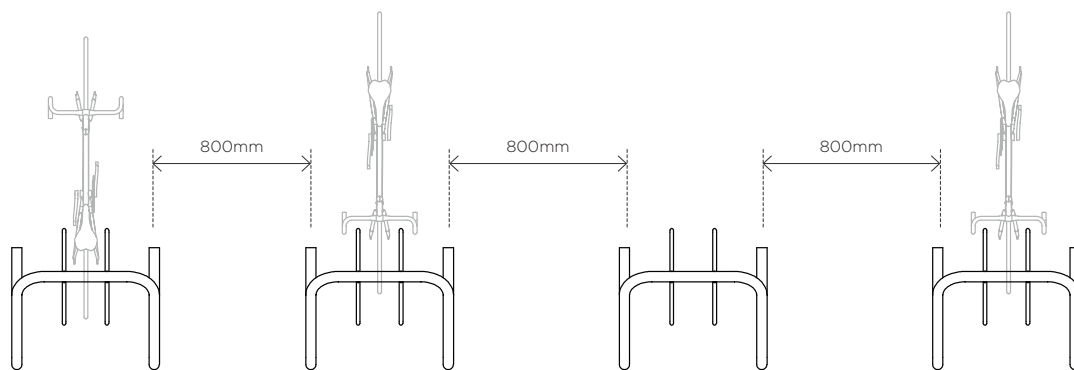
### EXPO 2704

## LAYOUT GUIDE

## MULTIPLE RACKS IN CLUSTER LAYOUT



**IN LINE CLUSTER**



**PARALLEL CLUSTER**

Refer to Installation Instructions sheet for specific installation and assembly guidelines. Racks should **NOT** be installed based on this sheet alone.