

CORA BIKE RACK

PRODUCT SPECIFICATION SHEET

EXPO 1500

- The EXPO 1500 is a highly versatile rack that can be installed for single or double sided access for maximum capacity
- 500mm spacings for AS2890.3 (2015) compliance
- Shipped fully welded for vandal resistance with no assembly required, includes stainless steel tamper resistant fixings

SINGLE OR DOUBLE SIDED ACCESS - AS2890.3 (2015) **COMPLIANT**



DESIGNED FOR
BIKES WITH →



A WHEEL
DIAMETER OF
= 24-29"



ANY TYRE
WIDTH

FENDERS /
MUDGUARDS

SPECIFICATIONS

| Capacity | Finish | Fixings | Assembly | Construction | Compliance |
|--|---|--|--|--|------------------------------|
| Single Side: 5 bikes Double Side: 8 bikes | - Galvanised - 316 stainless - Cora ceramic or powder colour range | 2 x M12 x 120mm anchor bolts with tamper resistant fasteners included | Supplied fully welded and assembled | Mainframe: 60.3 OD x 3.2 MD Hangers: 20mm round bar | AS2890.3 (2015) compliant |

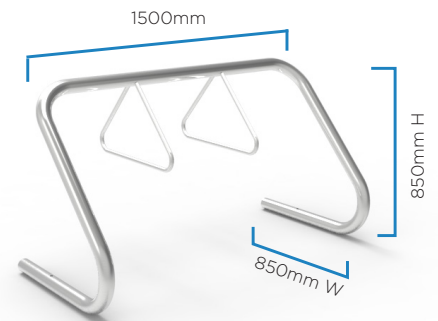
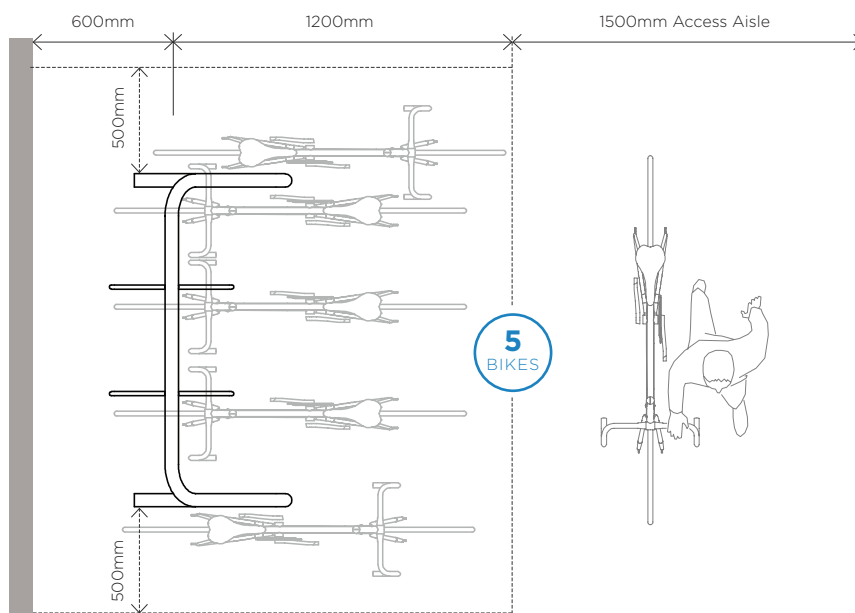
CORA BIKE RACK

PRODUCT SPECIFICATION SHEET

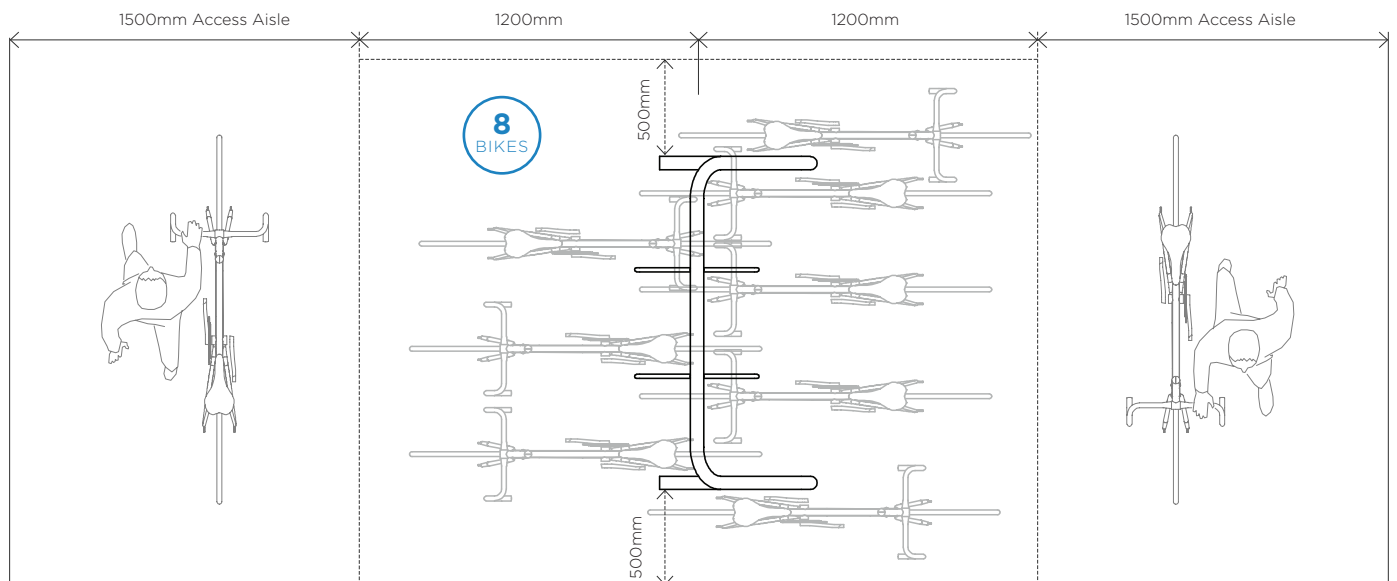
EXPO 1500

LAYOUT GUIDE

SINGLE RACK MAXIMUM CAPACITY



TOP VIEW - SINGLE SIDE ACCESS



TOP VIEW - DOUBLE SIDE ACCESS

Refer to Installation Instructions sheet for specific installation and assembly guidelines. Racks should **NOT** be installed based on this sheet alone.

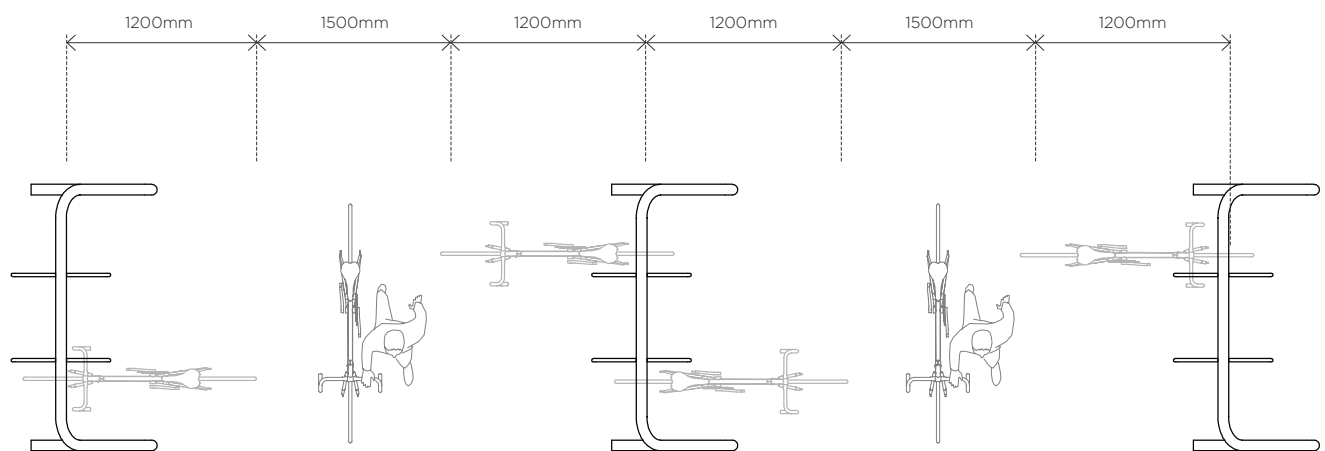
CORA BIKE RACK

PRODUCT SPECIFICATION SHEET

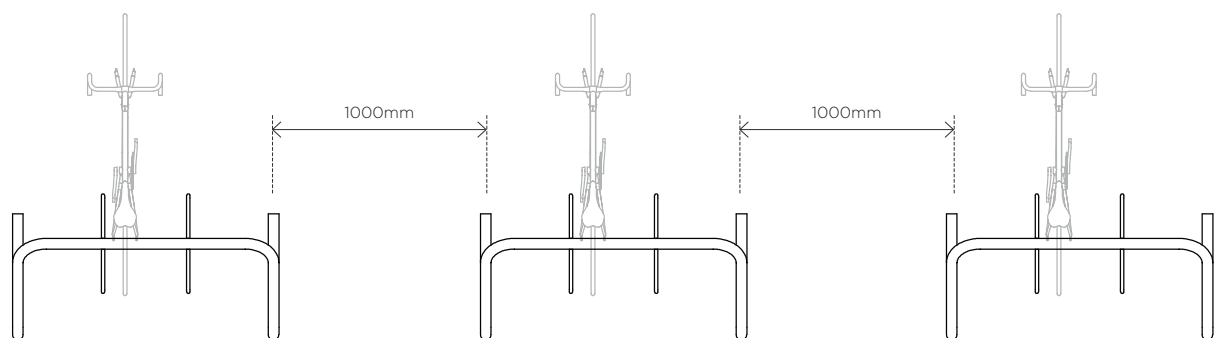
EXPO 1500

LAYOUT GUIDE

MULTIPLE RACKS IN CLUSTER LAYOUT



IN LINE CLUSTER



PARALLEL CLUSTER

Refer to Installation Instructions sheet for specific installation and assembly guidelines. Racks should **NOT** be installed based on this sheet alone.

sales@cora.com.au
www.cora.com.au