

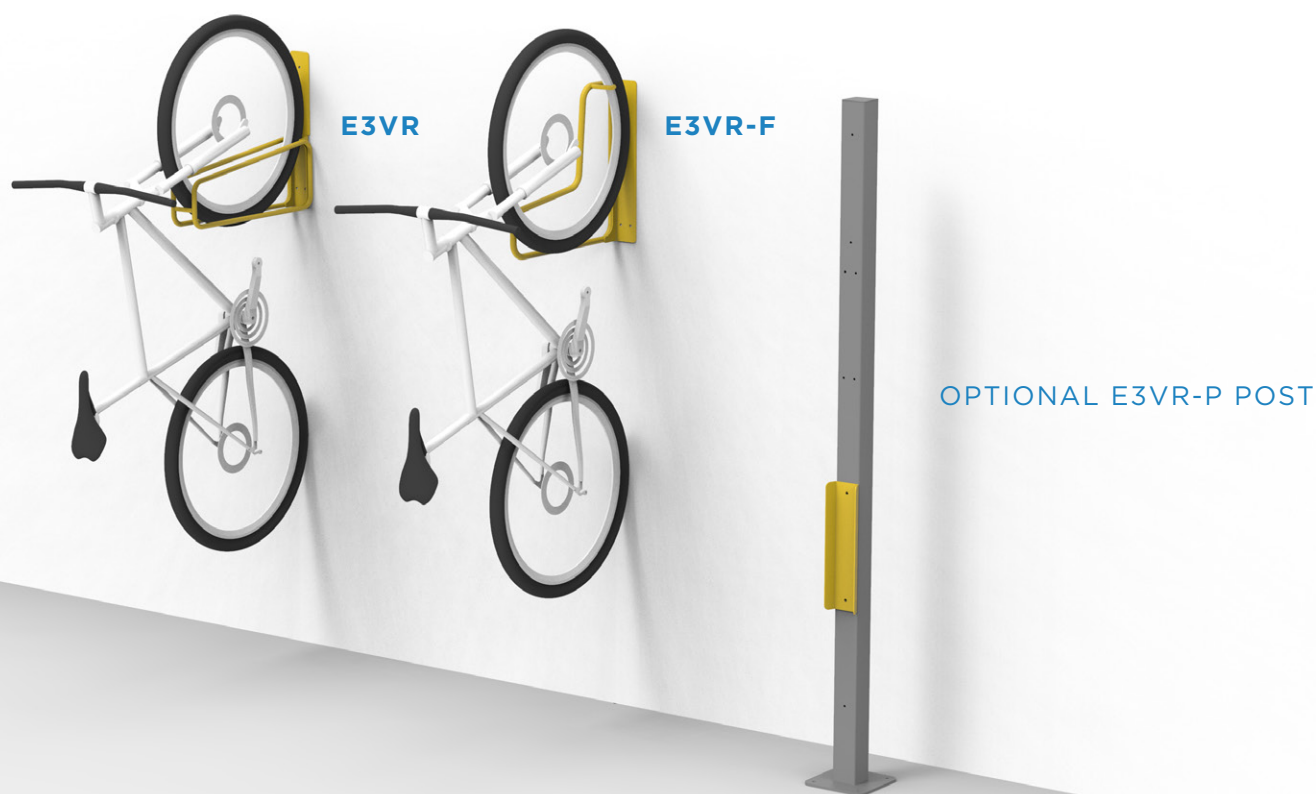
# CORA BIKE RACK

## PRODUCT SPECIFICATION SHEET

### E3VR & E3VR-F

- The **E3VR** is a vertical bike rack that gently supports the front wheel to provide easy parking movements and locking access
- The **E3VR-F** uses a strategically placed hook that transfers the bike's weight to the wall or post to allow safe parking for bicycles with fenders
- All E3VR Series racks can be mounted directly to existing walls or to the **E3VR-P** mounting post

### VERTICAL BIKE RACKS TO **SUIT** ALMOST ANY BICYCLE



DESIGNED FOR  
BIKES WITH



A WHEEL  
DIAMETER OF  
= 20-29"



A MAXIMUM  
TYRE WIDTH OF  
E3VR = 65mm / 2.55"  
E3VR-F = 70mm / 2.75"



A MAXIMUM  
WEIGHT OF = 35KG

FENDERS /  
MUDGUARDS

E3VR = NO | E3VR-F = YES

### SPECIFICATIONS

Capacity	Finish	Fixings	Assembly	Construction	Compliance
1 bike per rack	Cora yellow powder coat (ex stock) or select from Cora colour range	3 x M8 x 40mm pin head torx security screws with tool, washers & wall plugs included	Supplied fully welded and assembled (E3VR-P required for post mount option)	Mild steel / 16mm CHS x 1.2mm	AS2890.3 (2015) compliant

# CORA BIKE RACK

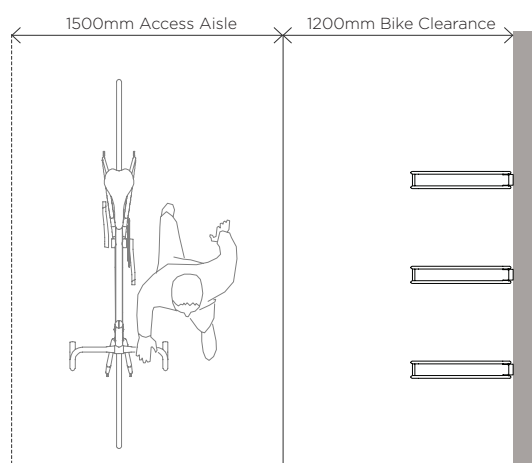
## PRODUCT SPECIFICATION SHEET

### POST MOUNTED BIKE RACK LAYOUT GUIDE

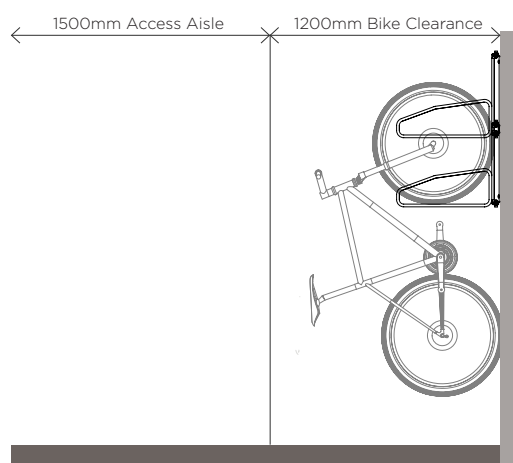
**E3VR & E3VR-F** \*E3VR-P POST REQUIRED

To comply with AS2890.3 (2015), minimum spacing between rack centres must be:

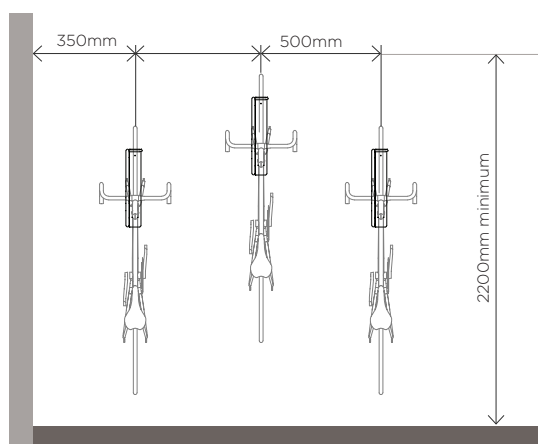
- ▶ 500mm if adjacent racks are offset in height by 300mm; or
- ▶ 700mm if adjacent racks are not offset in height



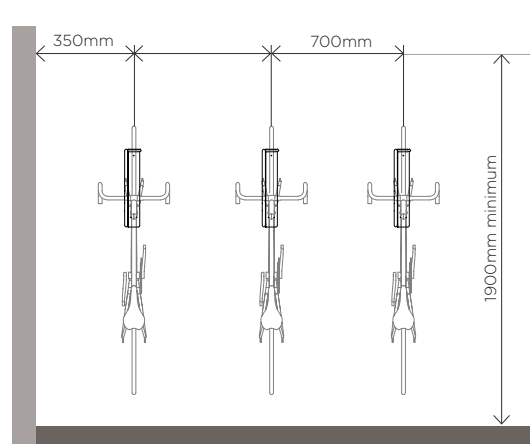
TOP VIEW



SIDE VIEW



FRONT VIEW STAGGERED RACKS



FRONT VIEW NON STAGGERED RACKS

Refer to Installation Instructions sheet for specific installation and assembly guidelines. Racks should **NOT** be installed based on this sheet alone.

# CORA BIKE RACK

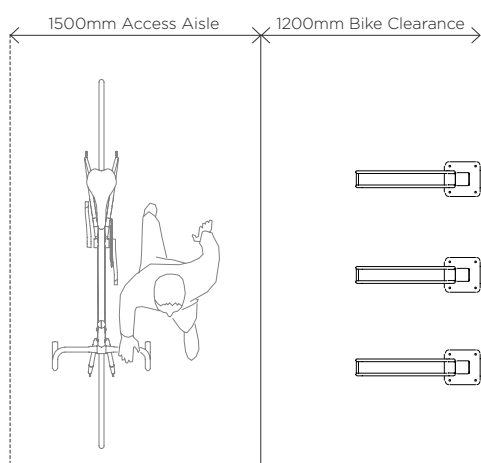
## PRODUCT SPECIFICATION SHEET

### POST MOUNTED BIKE RACK LAYOUT GUIDE

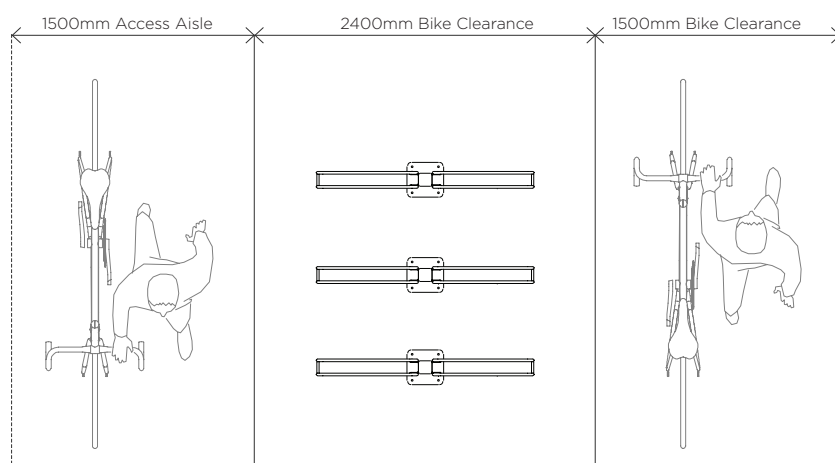
**E3VR & E3VR-F** \*E3VR-P POST REQUIRED

To comply with AS2890.3 (2015), minimum spacing between rack centres must be:

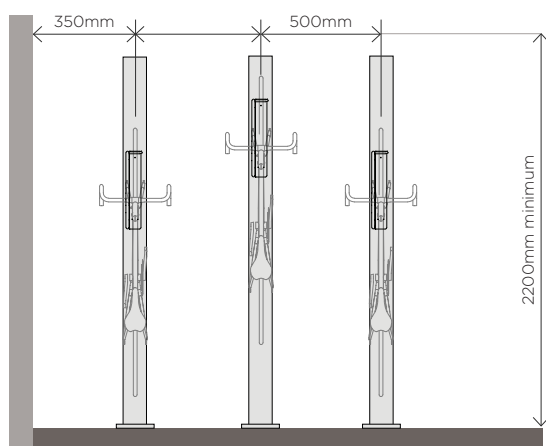
- ▶ 500mm if adjacent racks are offset in height by 300mm; or
- ▶ 700mm if adjacent racks are not offset in height



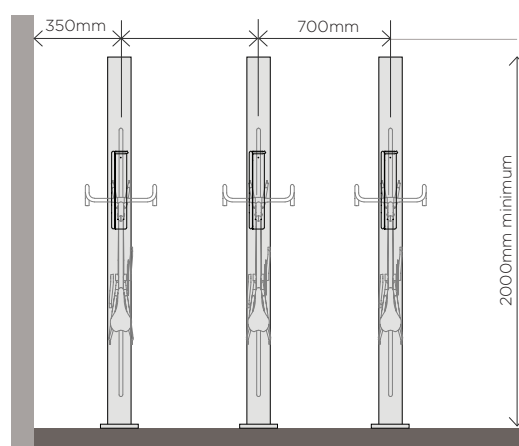
TOP VIEW SINGLE SIDED



TOP VIEW DOUBLE SIDED



FRONT VIEW STAGGERED RACKS



FRONT VIEW NON STAGGERED RACKS

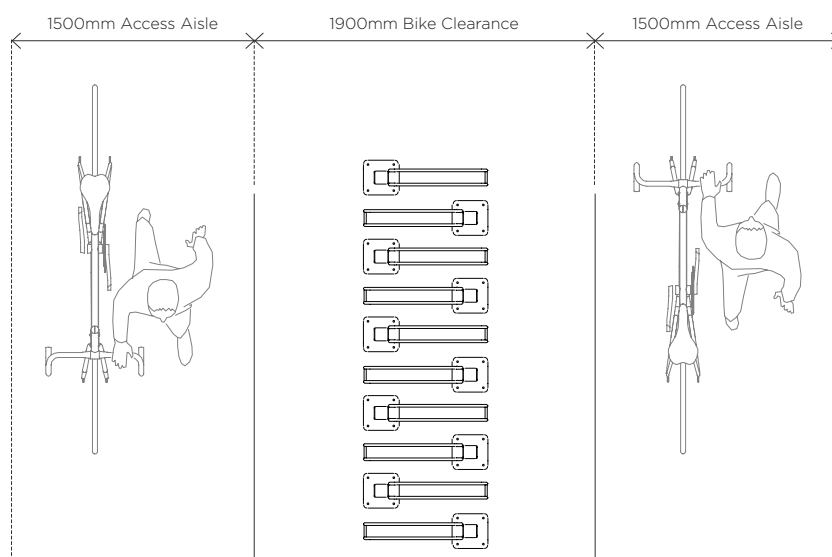
Refer to Installation Instructions sheet for specific installation and assembly guidelines. Racks should **NOT** be installed based on this sheet alone.

# CORA BIKE RACK

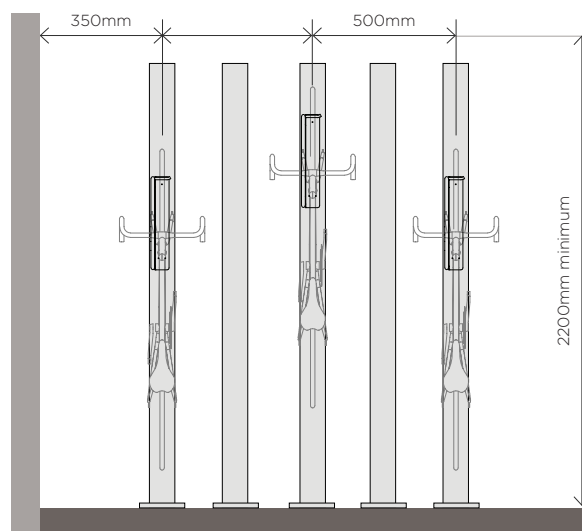
## PRODUCT SPECIFICATION SHEET

### POST MOUNTED BIKE RACK LAYOUT GUIDE

#### E3VR & E3VR-F NESTED POST LAYOUT



TOP VIEW NESTED



FRONT VIEW NESTED & STAGGERED RACKS

Refer to Installation Instructions sheet for specific installation and assembly guidelines. Racks should **NOT** be installed based on this sheet alone.