

CORA BIKE RACK

PRODUCT SPECIFICATION SHEET

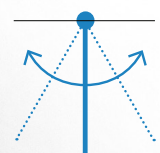
E3VR-DYN

- Increase capacity by 20%
- The **E3VR-DYN** provides a dynamic pivot motion to allow reduced spacings for maximum capacity and AS2890.3 compliance
- The rack can be mounted directly to existing walls or to the **E3VR-P** mounting post

A DYNAMIC **PIVOTING** VERTICAL BIKE RACK WALL OR POST MOUNTED



WALL MOUNTED



**DYNAMIC PIVOT
SIDE TO SIDE**

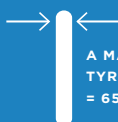


POST MOUNTED
(Single or double sided)

**DESIGNED FOR
BIKES WITH**



A WHEEL
DIAMETER OF
= 20-29"



A MAXIMUM
TYRE WIDTH OF
= 65mm / 2.5"



A MAXIMUM
WEIGHT OF = 30KG

**NO FENDERS /
MUDGUARDS**

SPECIFICATIONS

Capacity	Finish	Fixings	Assembly	Construction	Compliance
1 bike per rack	Cora yellow powder coat (ex stock) or select from Cora colour range	3 x M8 x 40mm pin head torx security screws with tool, washers and wall plugs included	Supplied fully welded and assembled (E3VR-P required for post mount option)	Mild steel / 16mm CHS x 1.2mm	AS2890.3 (2015) compliant

CORA BIKE RACK

PRODUCT SPECIFICATION SHEET

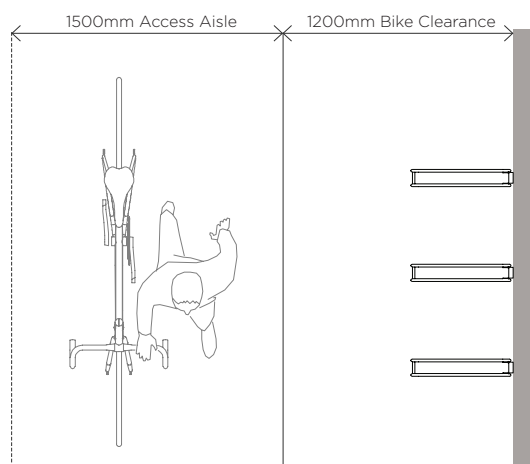
E3VR-DYN

WALL MOUNTED BIKE RACK

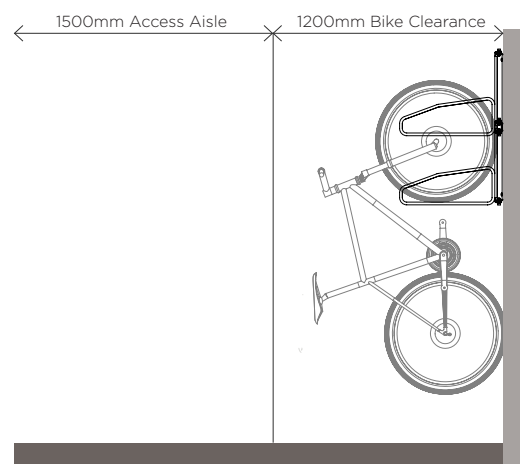
LAYOUT GUIDE

To comply with AS2890.3 (2015), minimum spacing between rack centres must be:

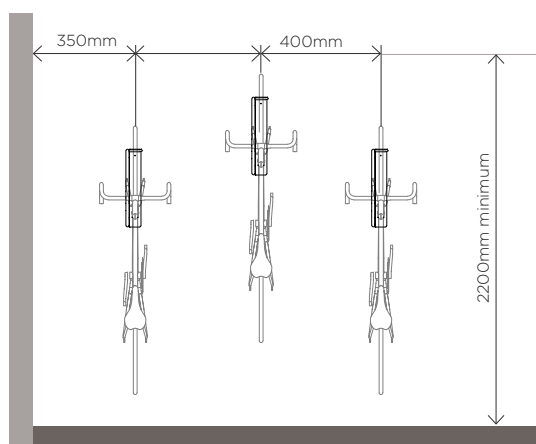
- ▶ 400mm if adjacent racks are offset in height by 300mm; or
- ▶ 600mm if adjacent racks are not offset in height



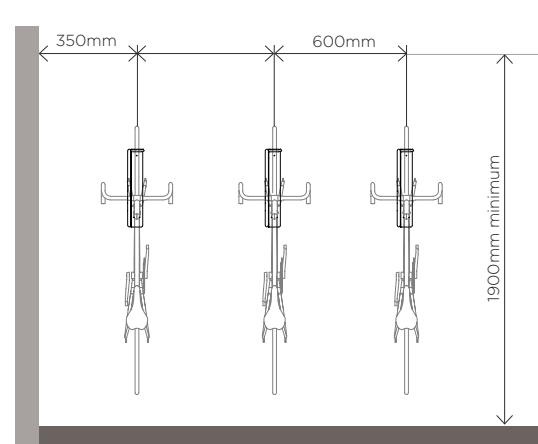
TOP VIEW



SIDE VIEW



FRONT VIEW STAGGERED RACKS



FRONT VIEW NON STAGGERED RACKS

Refer to Installation Instructions sheet for specific installation and assembly guidelines. Racks should **NOT** be installed based on this sheet alone.

CORA BIKE RACK

PRODUCT SPECIFICATION SHEET

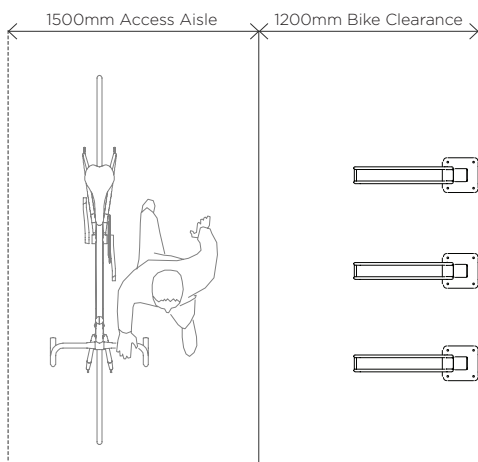
E3VR-DYN

POST MOUNTED BIKE RACK

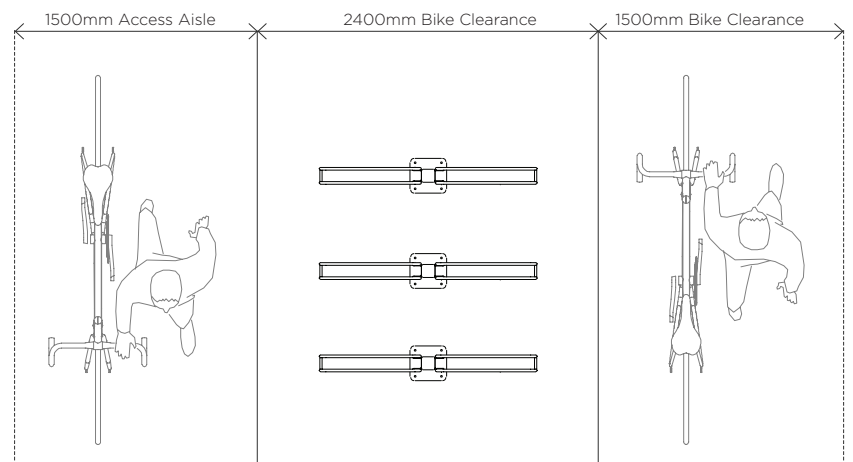
LAYOUT GUIDE *E3VR-P POST REQUIRED

To comply with AS2890.3 (2015), minimum spacing between rack centres must be:

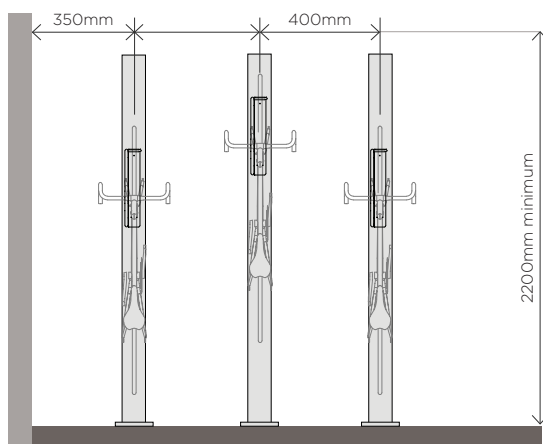
- ▶ 400mm if adjacent racks are offset in height by 300mm; or
- ▶ 600mm if adjacent racks are not offset in height.



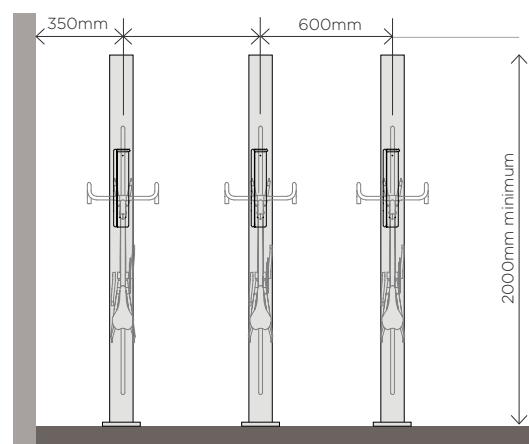
TOP VIEW SINGLE SIDED



TOP VIEW DOUBLE SIDED



FRONT VIEW STAGGERED RACKS



FRONT VIEW NON STAGGERED RACKS

Refer to Installation Instructions sheet for specific installation and assembly guidelines. Racks should **NOT** be installed based on this sheet alone.

sales@cora.com.au

www.cora.com.au