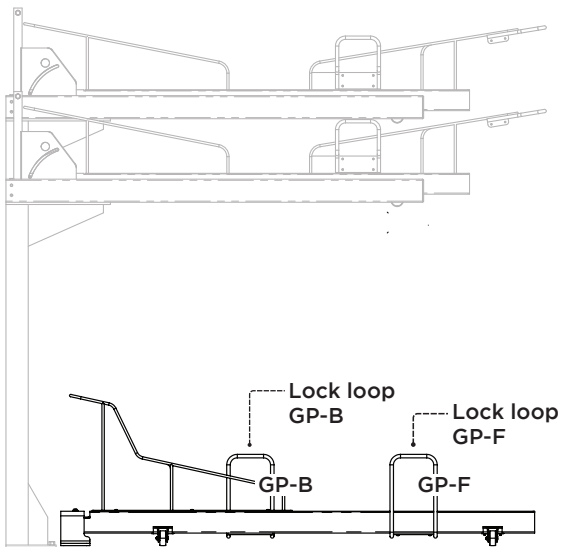


Operating Instruction - Double tier pivoting bottom rack

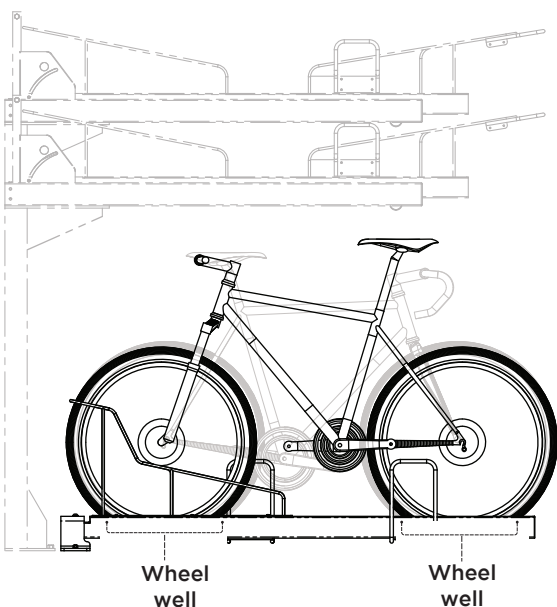
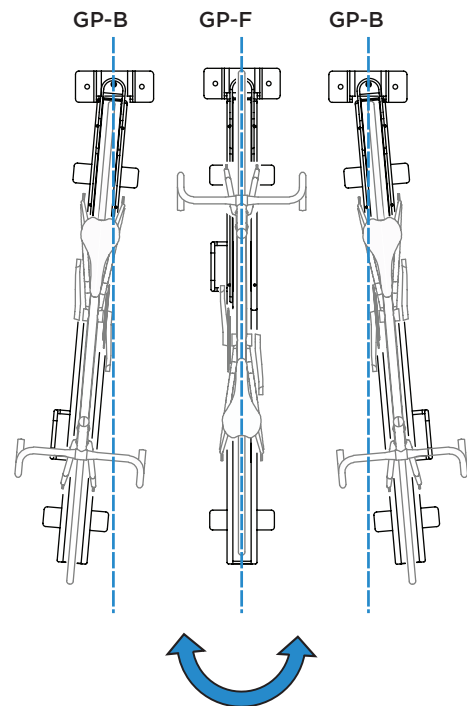


1

Choose either the **GP-B** or **GP-F**
GP-B - Back wheel in first
GP-F - Front wheel in first

2

Racks can be pivoted to increase access for racking or removal.



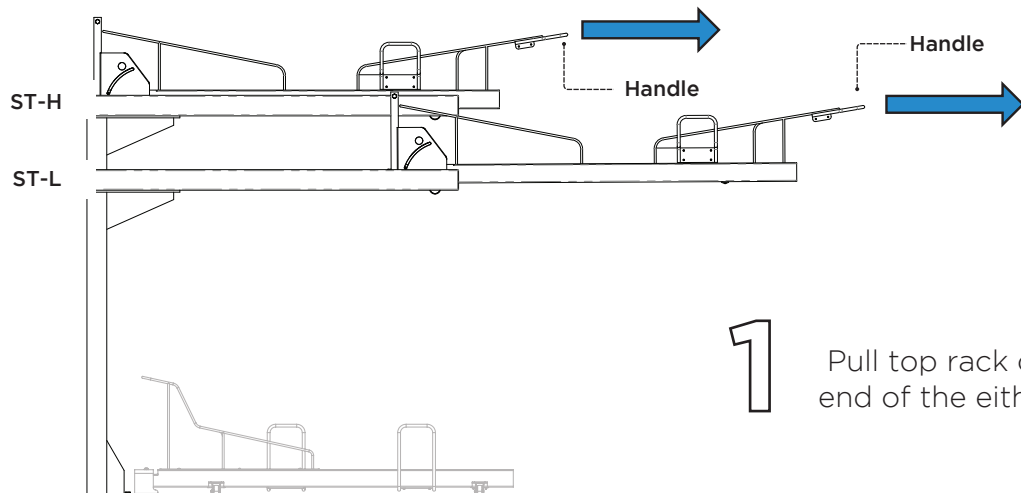
3

Place bike within the wheel wells, front or rear wheel first depending on rack selected. Secure bike to locking loop using personal locking device. For security reasons CORA recommends the lock passes through the bike frame.

Bike Rack Operating Instructions

Cora Bike Rack - ST-GP Racks

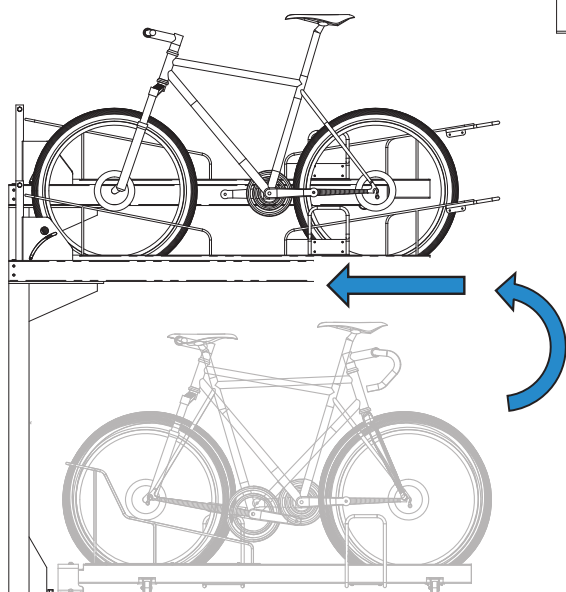
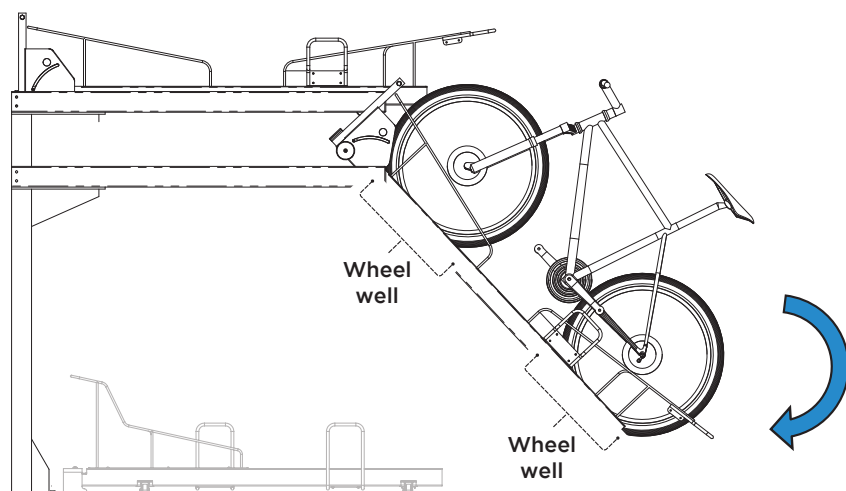
Operating Instruction - Double tier top rack



1 Pull top rack out using handle on end of the either **ST-L** or **ST-H**

2

Rotate rack down using handle. Place bike within wheel wells. Front wheel in first. Secure bike to rack using personal locking device. For security reasons CORA recommends the lock passes through the bike frame.



3 Rotate the rack back up and slide in to its original position.