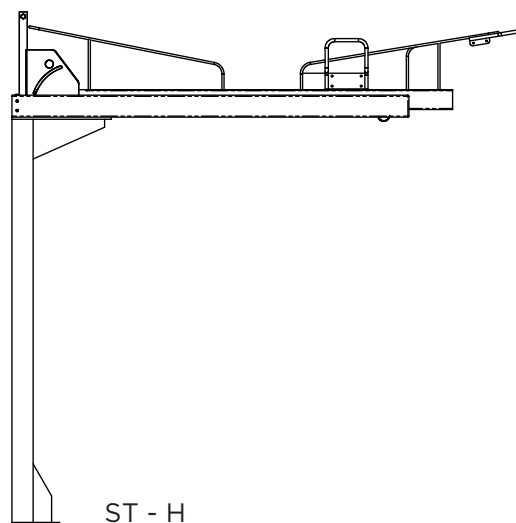
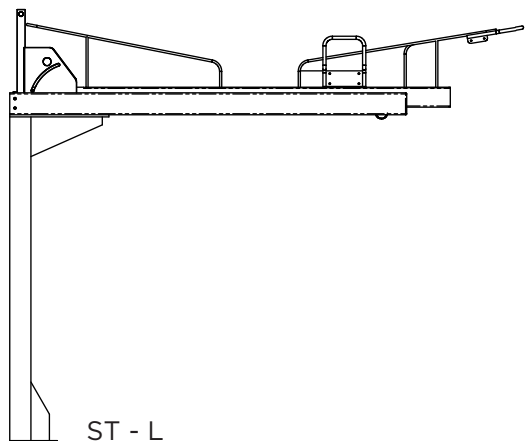


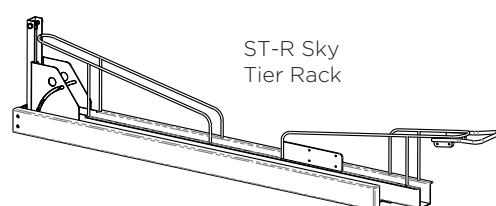
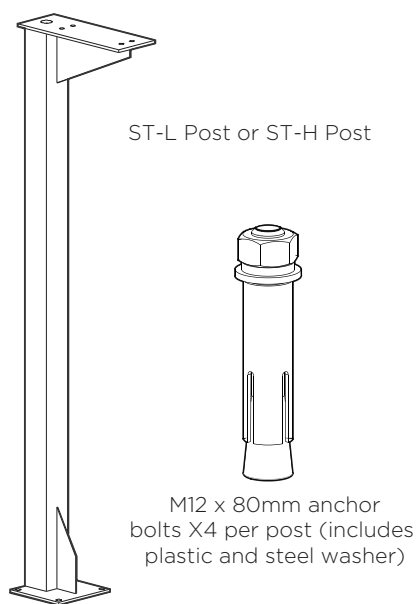
Bike Rack Installation Instructions

Cora Bike Rack - ST-L and ST-H Sky Tier Series

This instruction sheet is to be used for the ST Series Bike Rack.



Components for ST-L and ST-H used in assembly



1. Site selection

When selecting a site for double tier racks, look for flat, level surfaces that are undercover and protected from outdoor weather elements. Suitable for indoor use only.

2. Access and Clearance

- Before installing racks, mark out the desired layout configuration allowing for the minimum spacing dimensions
- Ensure min distance of 2000mm is provided for correct access aisle space for bikes
- Ensure minimum spacing from walls, other racks or obstructions
- Multiple racks may be mounted in alternating heights, single heights or nested clusters.
- See product specification sheets for additional information and layout options. Can be found at cora.com.au

Bike Rack Installation Instructions

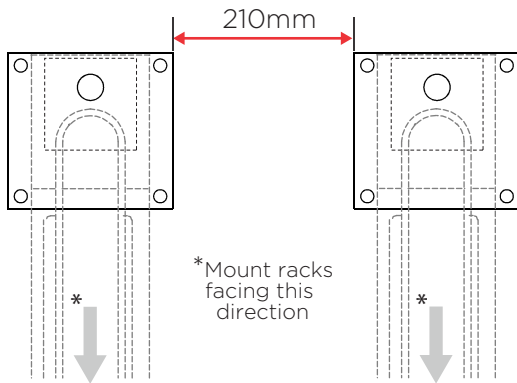
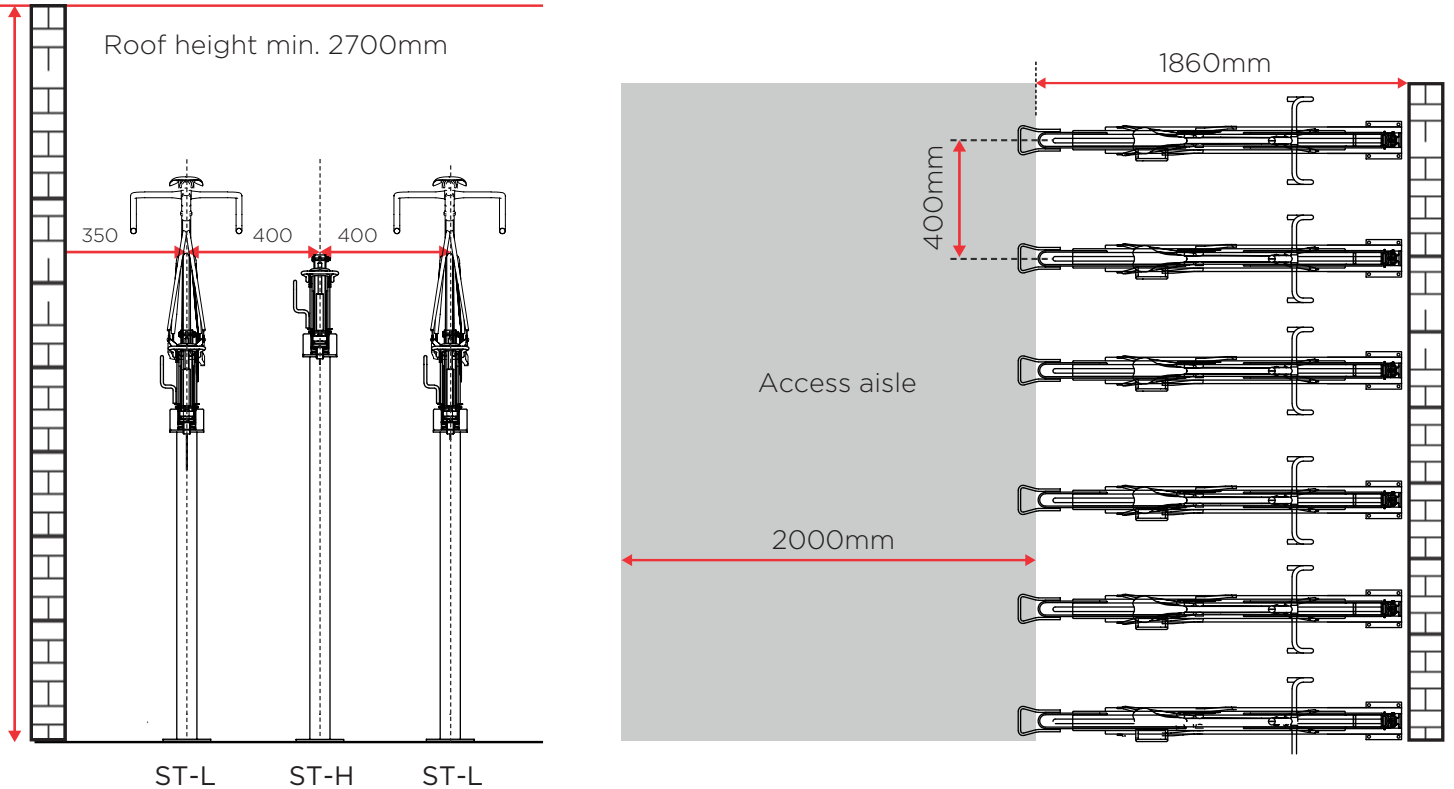
Cora Bike Rack - ST-L and ST-H Sky Tier Series

2. Access and clearance - 3 options shown

1 SPACING DIMENSIONS : STAGGERED HEIGHTS

To comply with AS2890.3 (2015):

- Staggered heights minimum 400mm spacing between post centres and 350mm to edge of walls or obstructions.
- Access Aisle - minimum 2000mm



Top View

Mounting post base plate configuration for spacing post at 400mm centres.

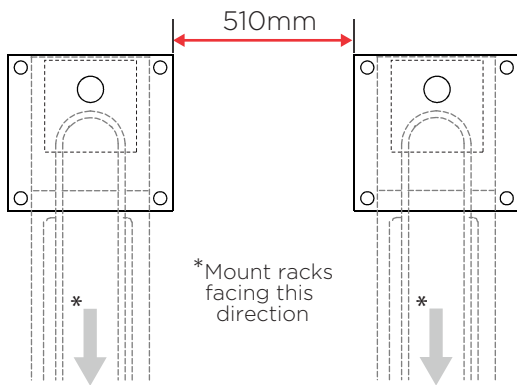
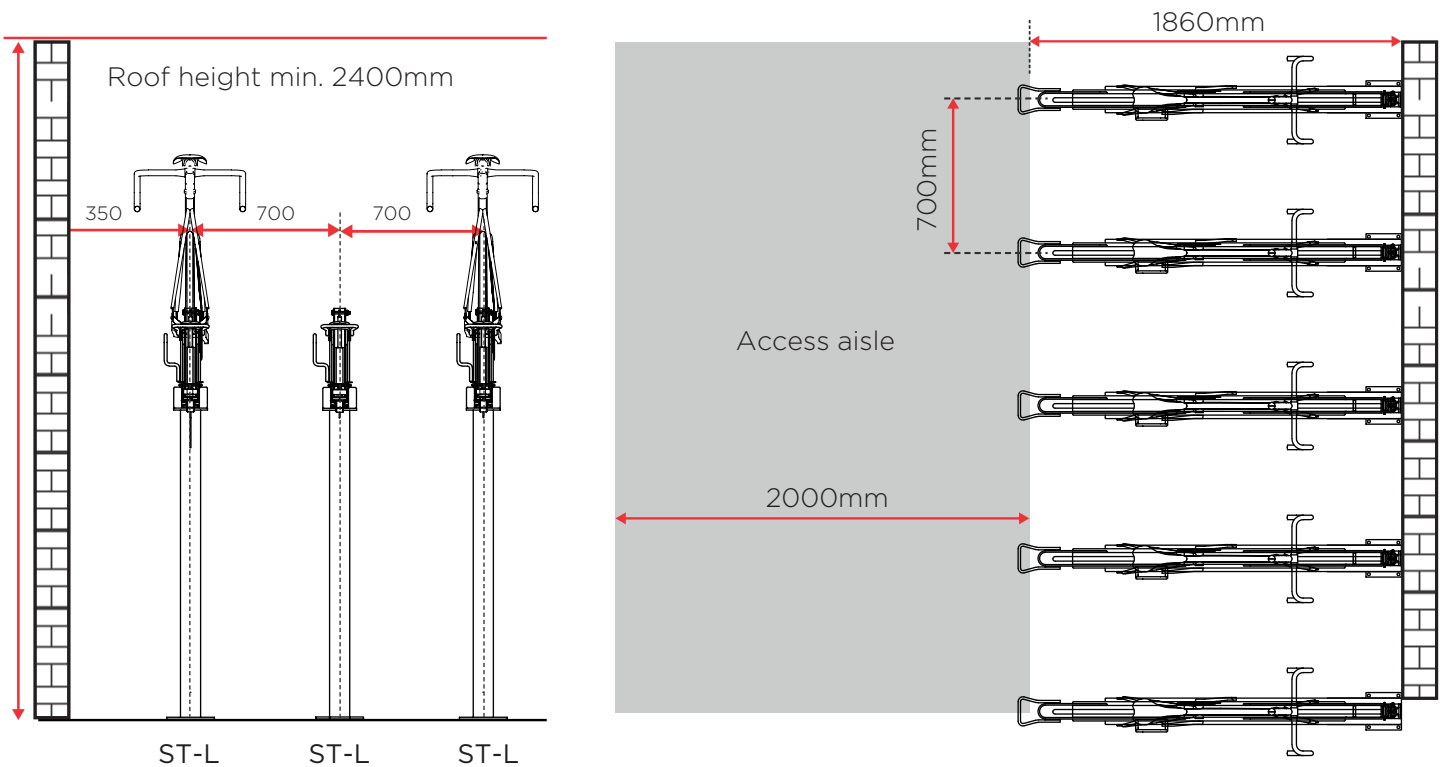
Bike Rack Installation Instructions

Cora Bike Rack - ST-L and ST-H Sky Tier Series

2 SPACING DIMENSIONS : STAGGERED HEIGHTS

To comply with AS2890.3 (2015):

- Single heights minimum 700mm spacing between post centres and 350mm to edge of walls or obstructions.
- Access Aisle - minimum 2000mm



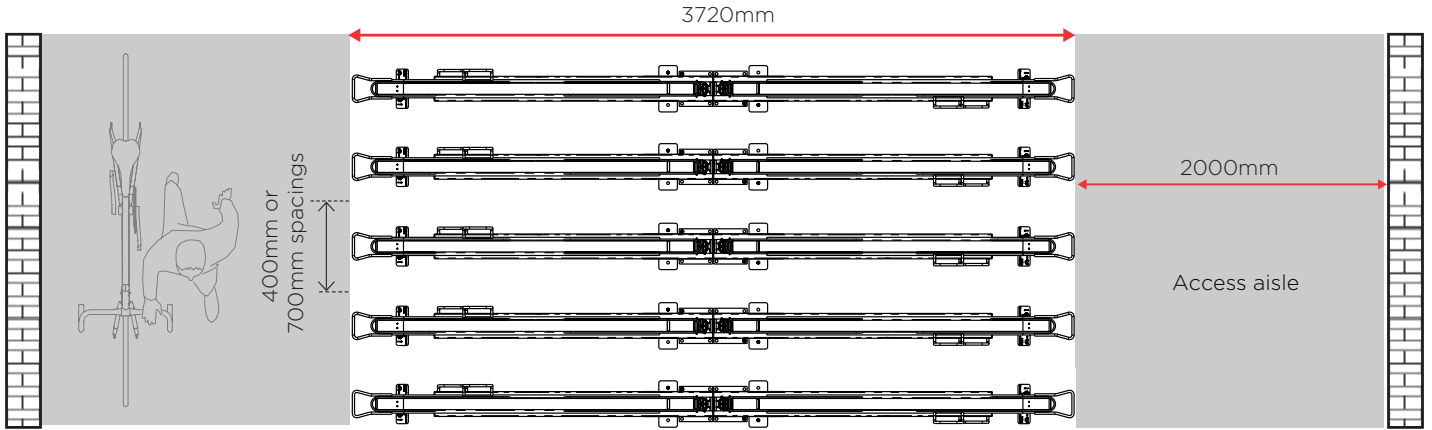
Top View

Mounting post base plate configuration for spacing post at 700mm centres.

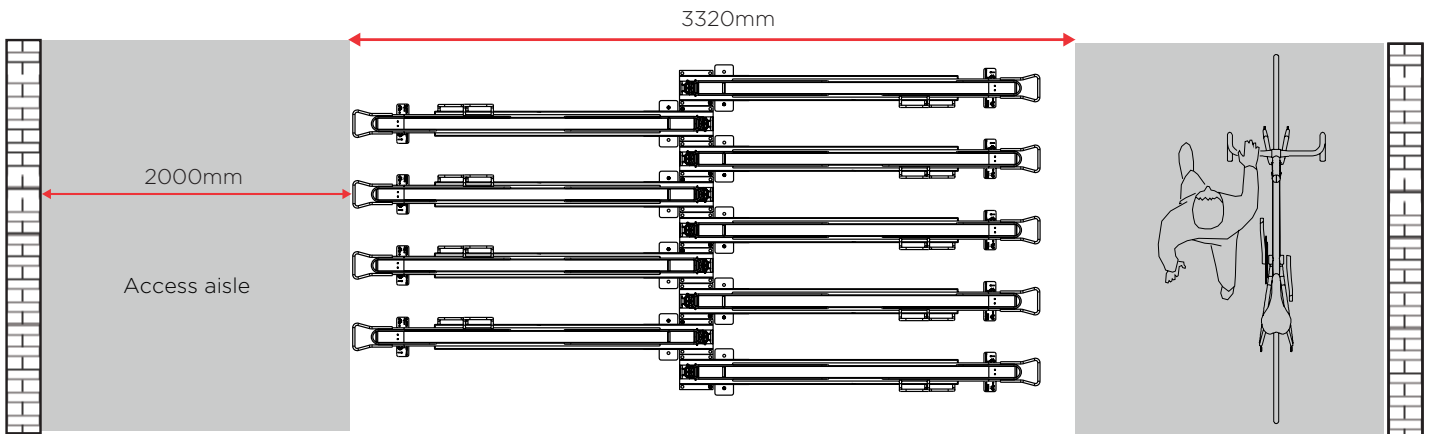
Bike Rack Installation Instructions

Cora Bike Rack - ST-L and ST-H Sky Tier Series

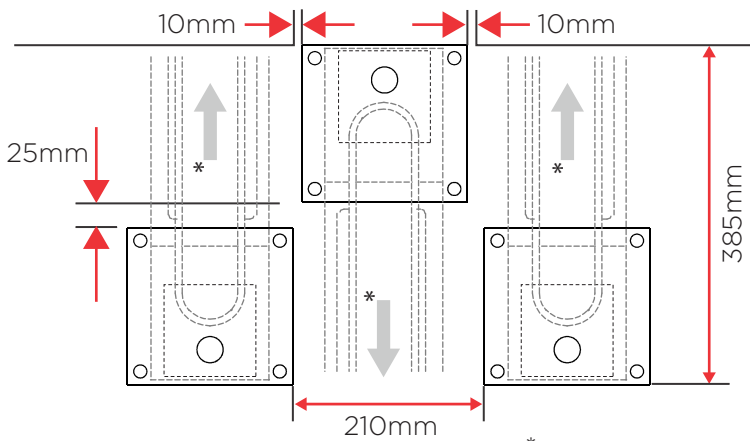
3 SPACING DIMENSIONS : BACK TO BACK AND NESTED LAYOUTS



Back to back layout



Nested layout



Top View

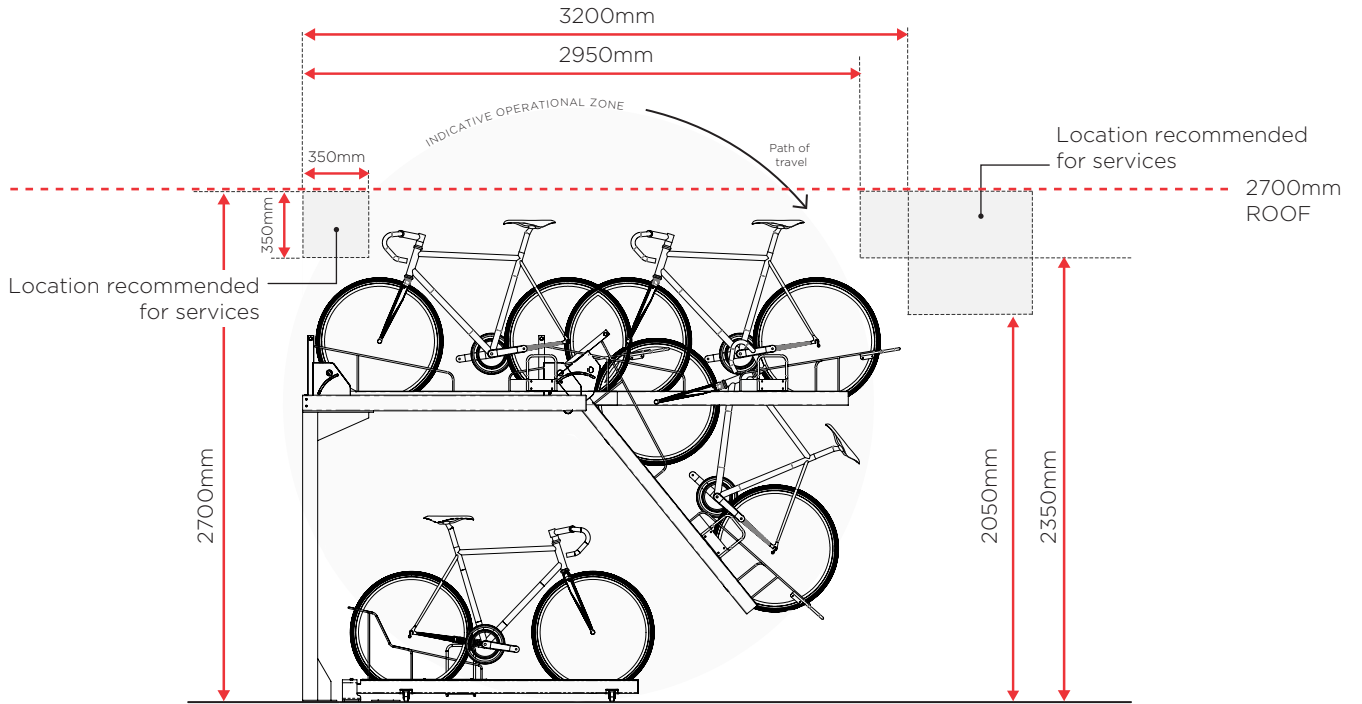
* Mount racks facing this direction

Mounting post base plate configuration for nesting posts at 400mm centres.

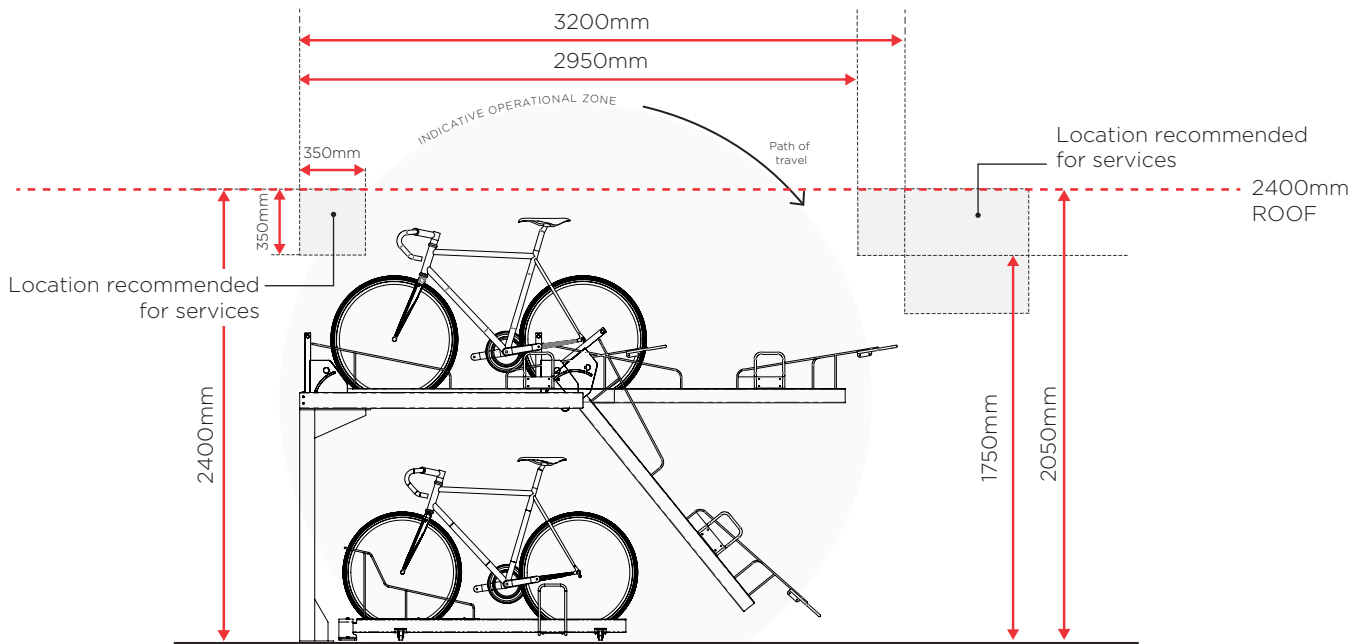
Bike Rack Installation Instructions

Cora Bike Rack - ST-L and ST-H Sky Tier Series

2. Access and clearance - ST-H and ST-L access clearance



ST-H Access clearance

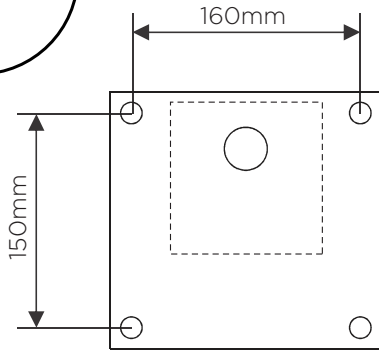
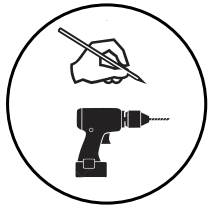


ST-L Access clearance

Bike Rack Installation Instructions

Cora Bike Rack - ST-L and ST-H Sky Tier Series

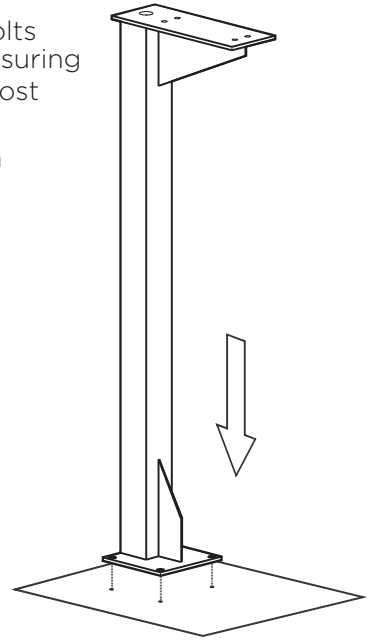
4. Drill in location



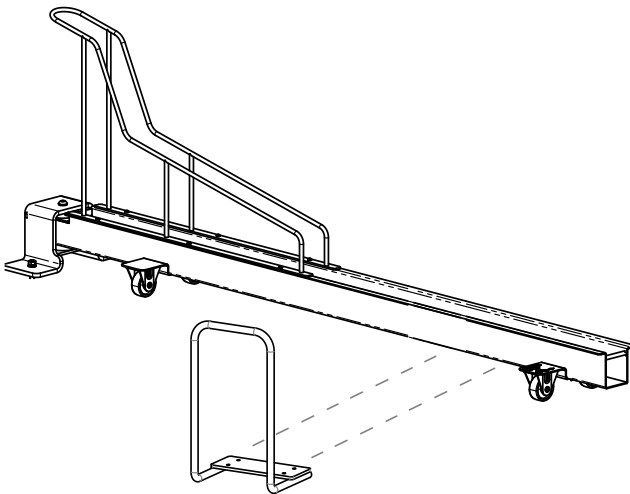
- Use dimensions above for anchor bolt drill hole locations
- Drill or core hole 12mm diameter and 75mm min. depth

5. Fix posts to floor

- Locate posts in position
- Insert four (x4) anchor bolts into holes in each post ensuring washer is firmly against post base plate
- Tighten anchor bolts with supplied nut

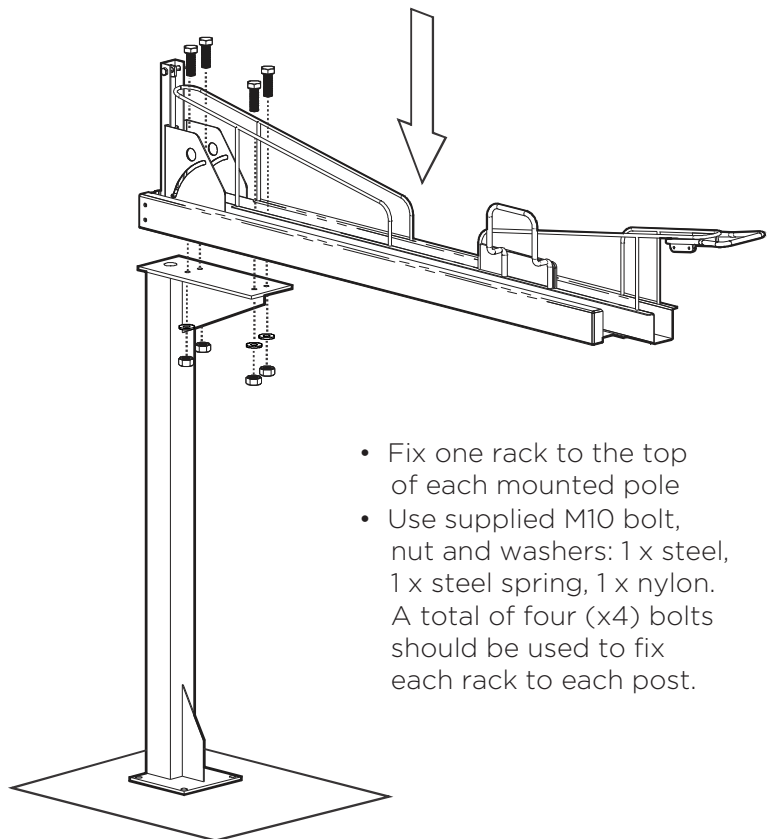


6. Fix lock loop to rack



- Fix one lock loop to the rack at the location indicated
- Use the supplied M5 pan head fasteners to attach

7. Fix racks to tops of posts

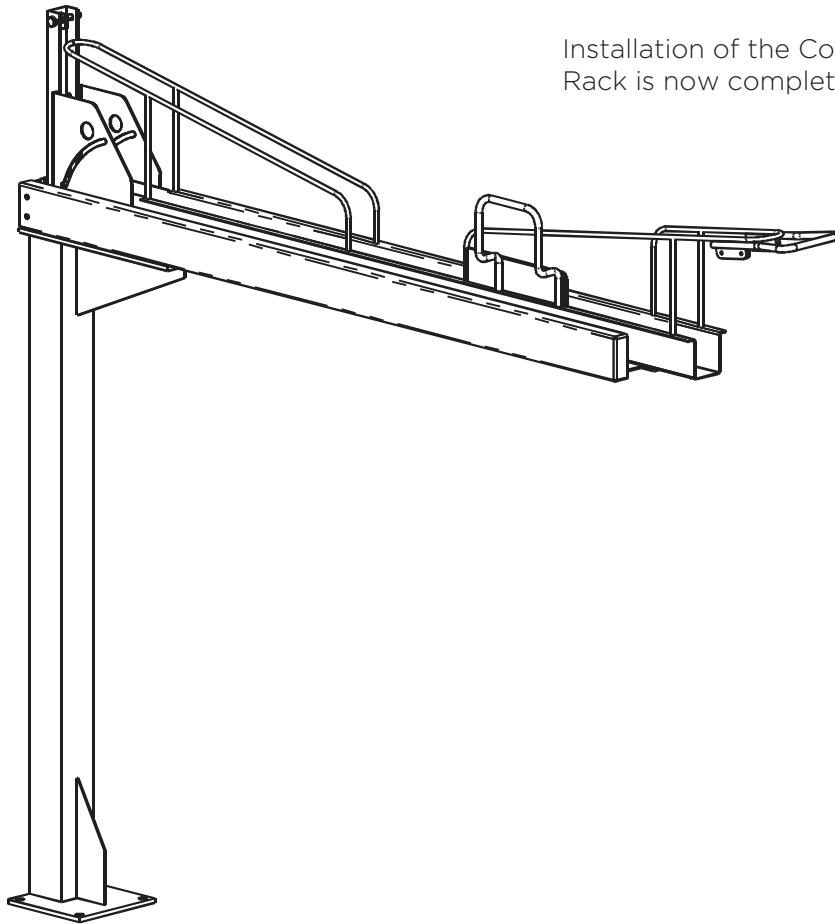


- Fix one rack to the top of each mounted pole
- Use supplied M10 bolt, nut and washers: 1 x steel, 1 x steel spring, 1 x nylon. A total of four (x4) bolts should be used to fix each rack to each post.

Bike Rack Installation Instructions

Cora Bike Rack - ST-L and ST-H Sky Tier Series

8. Installation complete



Installation of the Cora ST Series
Rack is now complete



CORA
BIKERACK

PH 1800 249 878

sales@cora.com.au

www.cora.com.au