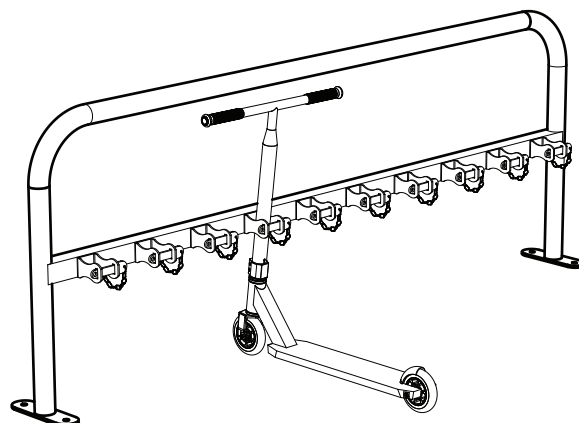
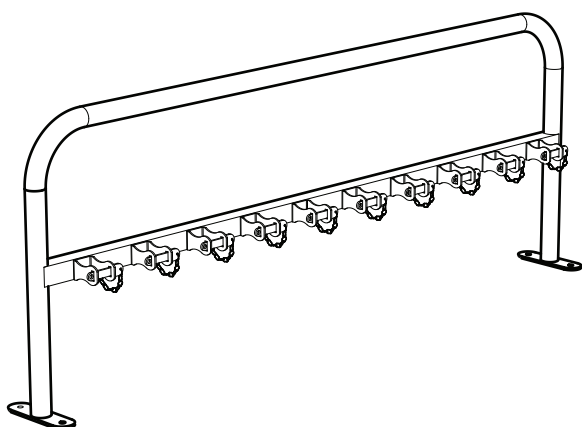


# Bike Rack Installation Instructions

## Cora Bike Rack - Scooter Rack Series Single Sided Rack (SRS)

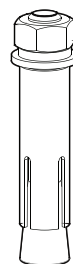
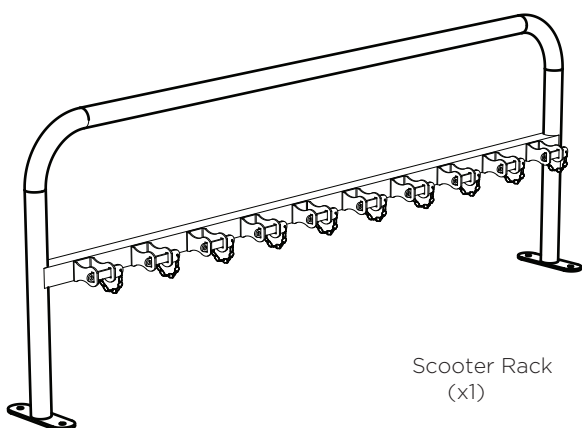
---

This instruction sheet is to be used for SRS - Scooter 'Single' sided racks



---

Components for Scooter Rack used in assembly



M12 x 80mm anchor bolts with tamper resistant fasteners (X4)



Security shear nuts (X4)

---

### 1. Site selection

When selecting a site for your new scooter rack, the most important advice is - **do not try to hide it, as it will not be used!** Suitable locations include;

- Adjacent to entrance doors and in line of sight of a window
- Near high pedestrian traffic
- A flat location at the same surface level which cyclists use for access
- Covered areas

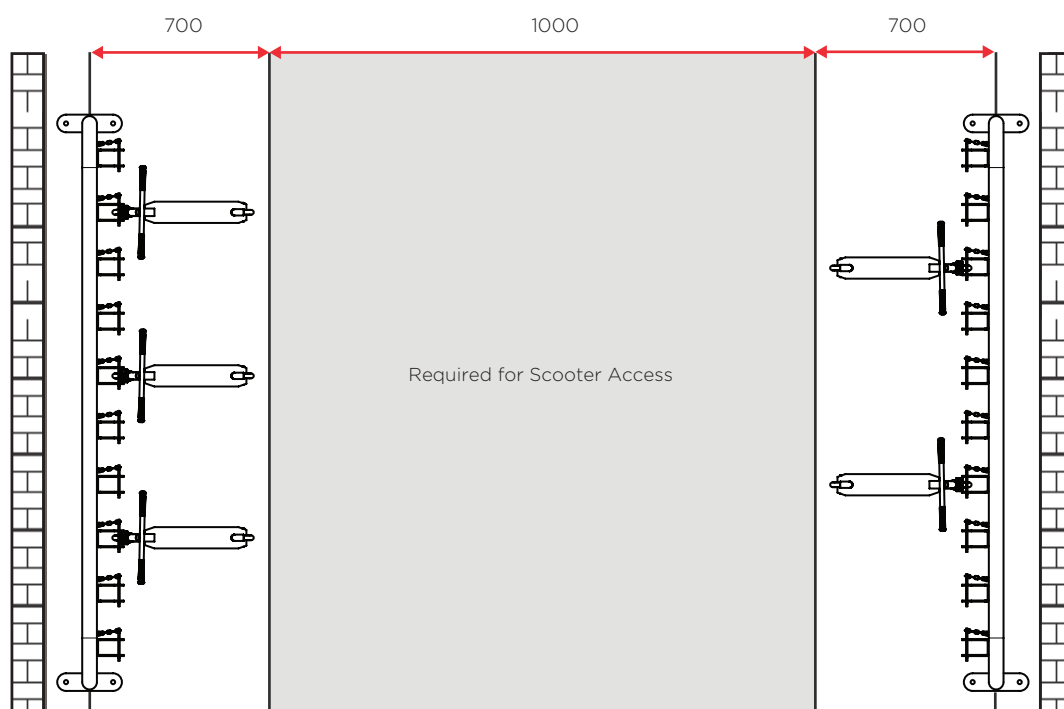
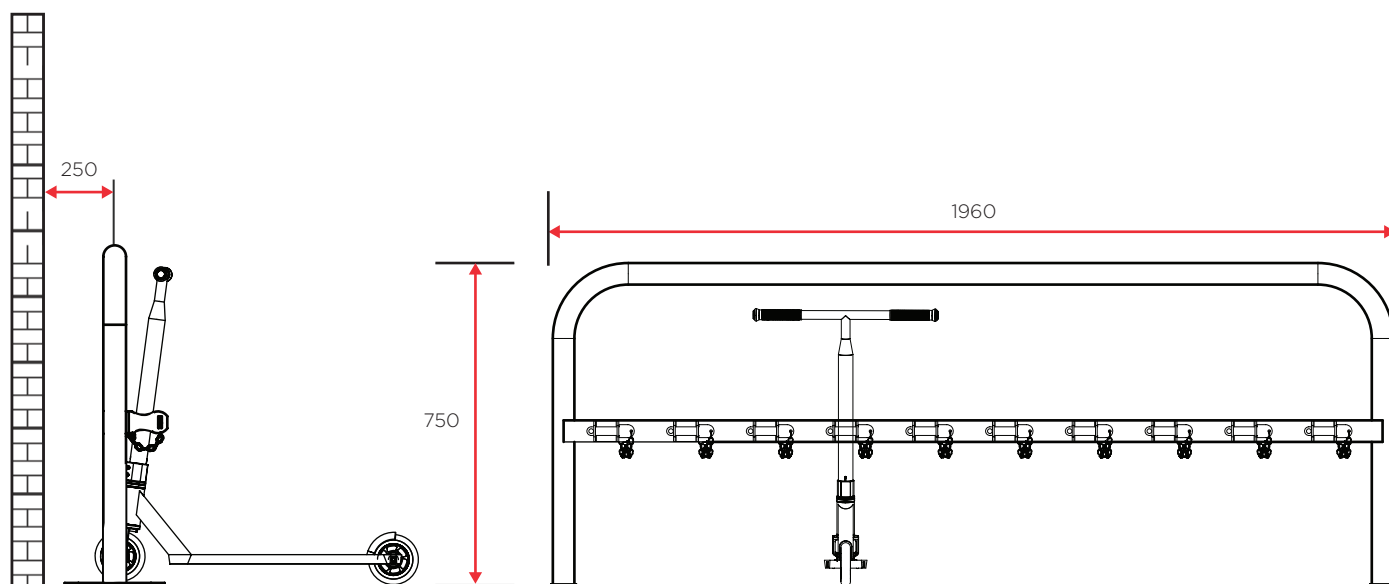
Other things to remember;

- Where a rack is being installed at an existing location, the rack should be placed where scooters are currently parked
- When using a garage location, it is recommended to use a parking bay that is adjacent to an end wall nearest to an entrance door.

# Bike Rack Installation Instructions

## Cora Bike Rack - Scooter Rack Series Single Sided Rack (SRS)

### 2. Access and clearance - single sided rack



### Access dimensions around racks

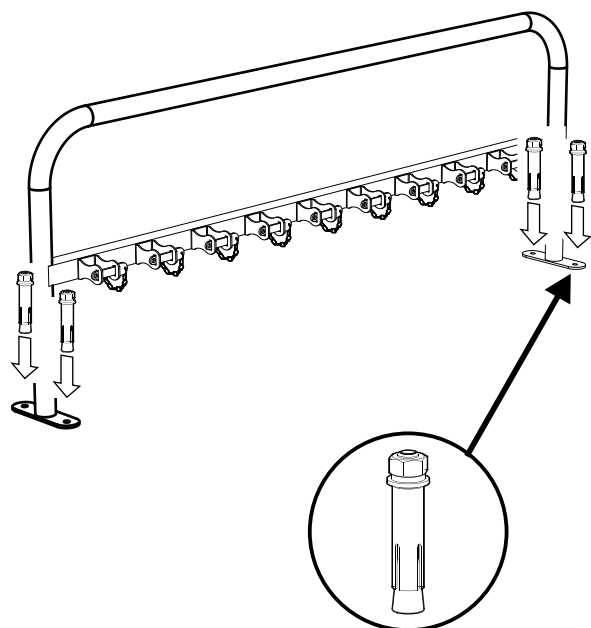
- Before mounting rack, find a suitable place that will allow for minimum spacing dimensions
- Ensure minimum spacing from walls, other racks or obstructions to allow for minimum access

# Bike Rack Installation Instructions

## Cora Bike Rack - Scooter Rack Series Single Sided Rack (SRS)

---

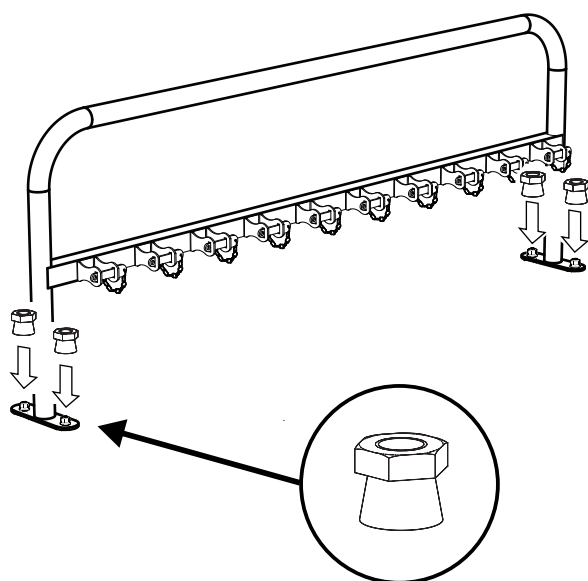
### 3. Scooter rack fixings



- Use the anchor bolts included
- Place rack in the desired location, ensuring correct clearance on all sides
- Place an 8mm drill through the 4 footing holes to mark the correct position
- Remove rack and drill an 8mm hole into the concrete using a standard hammer drill. Repeat using a 12mm drill. Clear holes of dust
- **Do not drill over plumbing and/or electrical conduits, or through waterproof membranes that may be located just below surface level.**
- Place rack back into correct position, place the flat washers and standard nut on to the Anchor bolts, and hammer the Anchor bolts into place. Tighten nuts firmly

---

### 4. Adding the security nuts



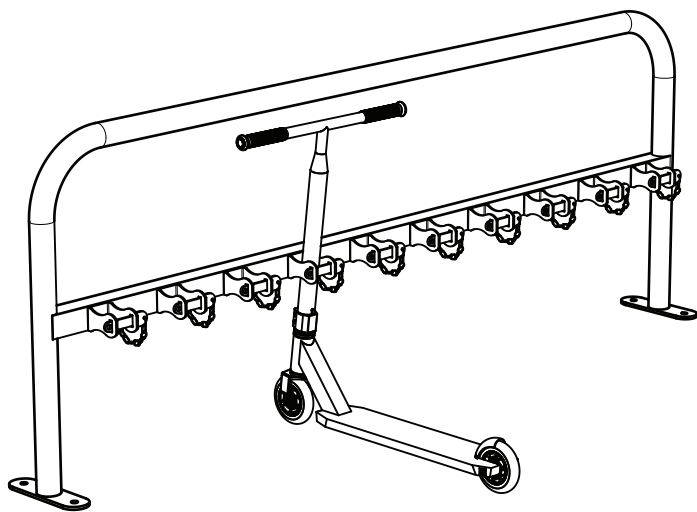
- To use the included security shear head nuts, carefully remove the tightened standard nuts, leaving the flat washers in place
- Screw on the new security nuts with the wide round base at the bottom
- Tighten the security nut firmly, and keep tightening until the top half of the nut snaps off
- Remove the top half of the Security Nut and discard. The lower half remains in place to provide an effective tamper resistant fixing

## Bike Rack Installation Instructions

### Cora Bike Rack - Scooter Rack Series Single Sided Rack (SRS)

---

#### 5. Installation complete



Installation of the single sided scooter rack is now complete.

