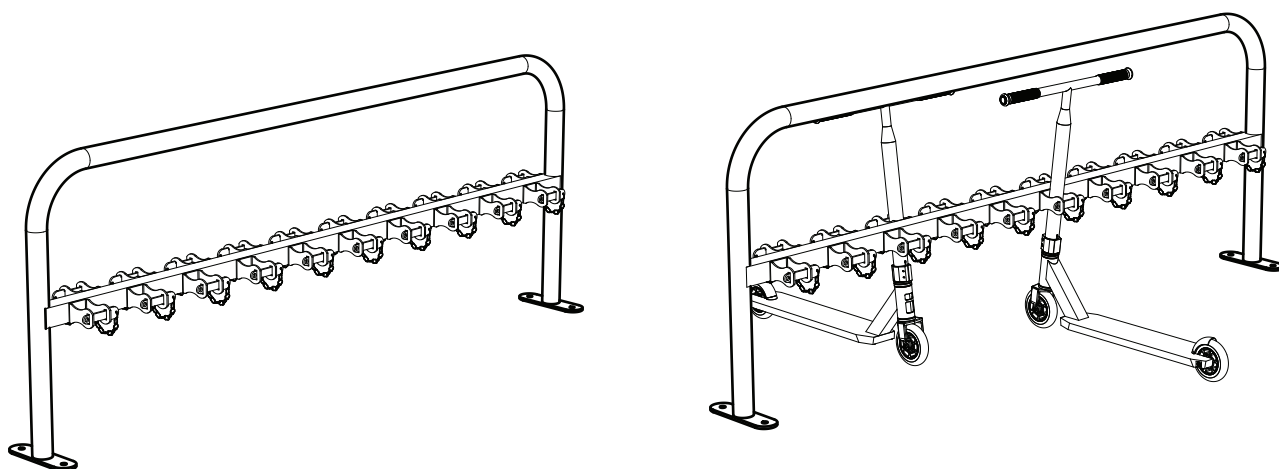


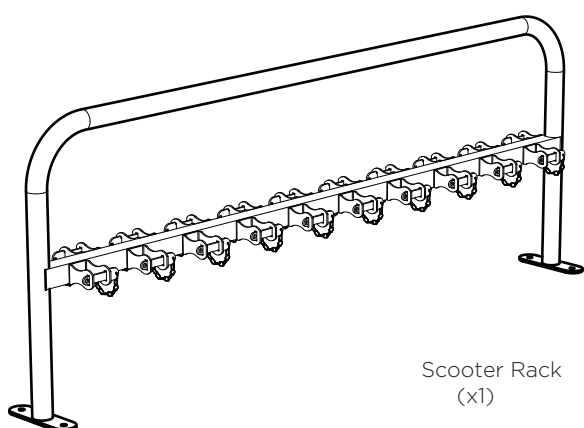
Bike Rack Installation Instructions

Cora Bike Rack - Scooter Rack Series Double Sided Rack (SRD)

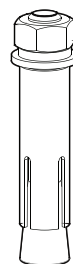
This instruction sheet is to be used for SRD - Scooter racks 'Double' sided.



Components for Scooter Rack used in assembly



Scooter Rack
(x1)



M12 x 80mm anchor
bolts with tamper
resistant fasteners (X4)



Security shear nuts
(X4)

1. Site selection

When selecting a site for your new scooter rack, the most important advice is - **do not try to hide it, as it will not be used!** Suitable locations include;

- Adjacent to entrance doors and in line of sight of a window
- Near high pedestrian traffic
- A flat location at the same surface level which cyclists use for access
- Covered areas

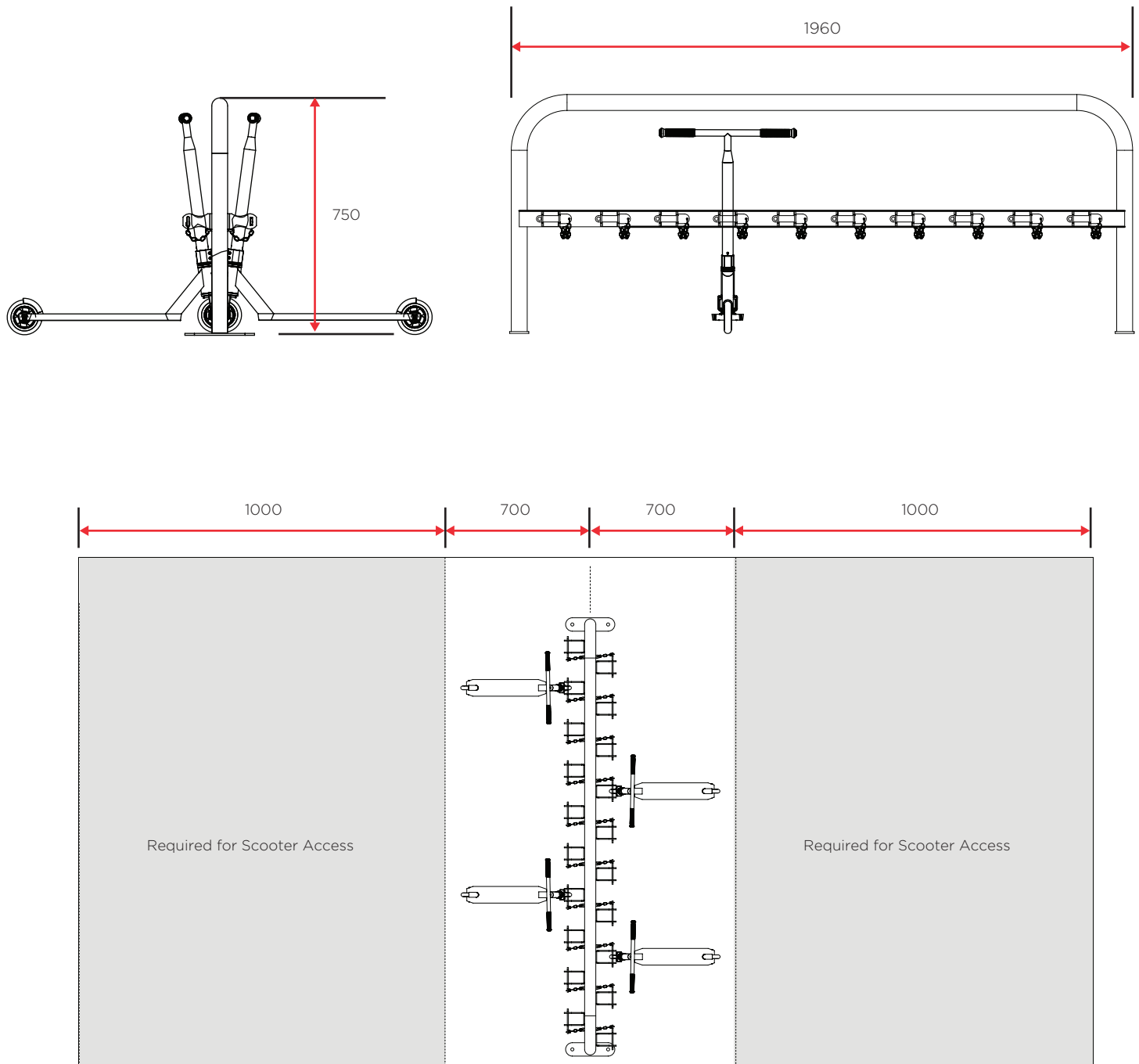
Other things to remember;

- Where a rack is being installed at an existing location, the rack should be placed where scooters are currently parked
- When using a garage location, it is recommended to use a parking bay that is adjacent to an end wall nearest to an entrance door.

Bike Rack Installation Instructions

Cora Bike Rack - Scooter Rack Series Double Sided Rack (SRD)

2. Access and clearance



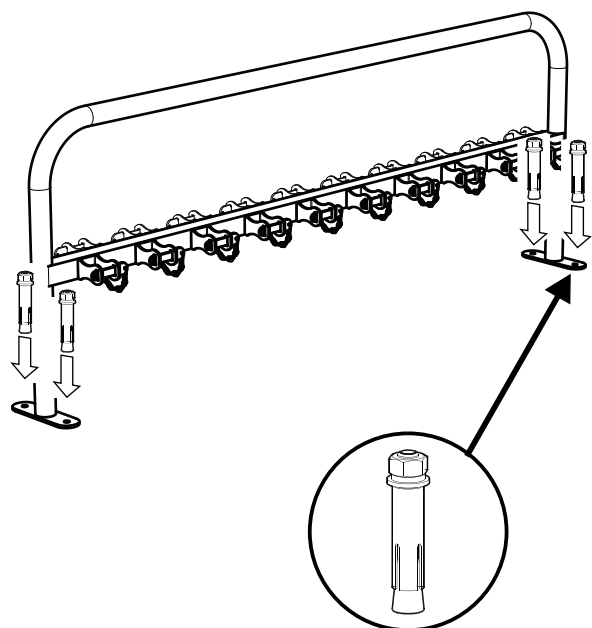
Access dimensions around racks

- Before mounting rack, find a suitable place that will allow for minimum spacing dimensions
- Ensure minimum spacing from walls, other racks or obstructions to allow for minimum access

Bike Rack Installation Instructions

Cora Bike Rack - Scooter Rack Series Double Sided Rack (SRD)

3. Scooter rack fixings

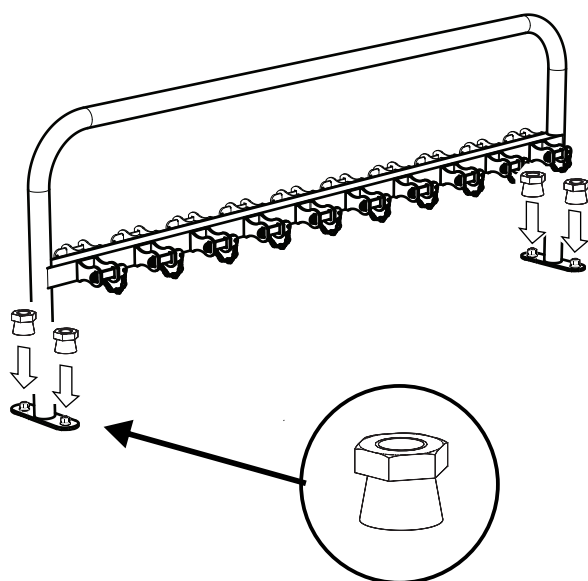


- Use the anchorbolts included
- Place rack in the desired location, ensuring correct clearance on all sides
- Place an 8mm drill through the 4 footing holes to mark the correct position
- Remove rack and drill an 75mm deep hole into the concrete using a standard hammer drill. Repeat using a 12mm drill. Clear holes of dust

Do not drill over plumbing and/or electrical conduits, or through waterproof membranes that may be located just below surface level.

- Place rack back into correct position, place the flat washers and standard nut on to the Anchorbolts, and hammer the Anchorbolts into place. Tighten nuts firmly

4. Adding the security nuts

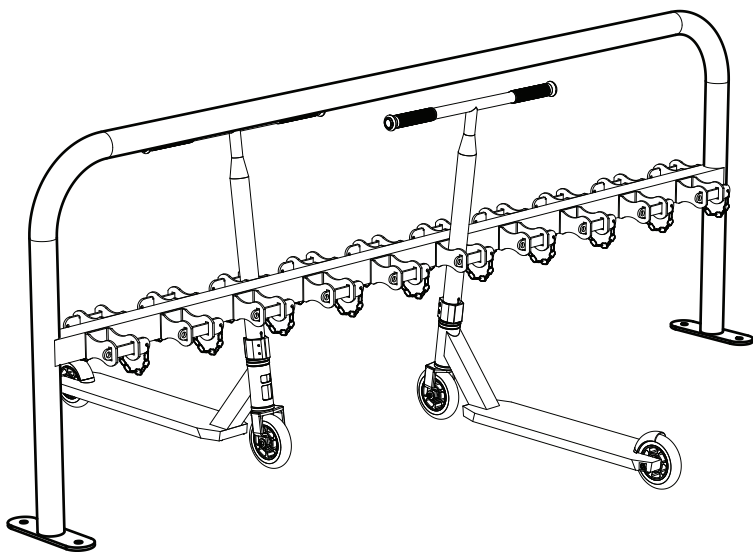


- To use the included security shear head nuts, carefully remove the tightened standard nuts, leaving the flat washers in place
- Screw on the new security nuts with the wide round base at the bottom
- Tighten the security nut firmly, and keep tightening until the top half of the nut snaps off
- Remove the top half of the Security Nut and discard. The lower half remains in place to provide an effective tamper resistant fixing

Bike Rack Installation Instructions

Cora Bike Rack - Scooter Rack Series Double Sided Rack (SRD)

5. Installation complete



Installation of the double-sided scooter rack is now complete.

