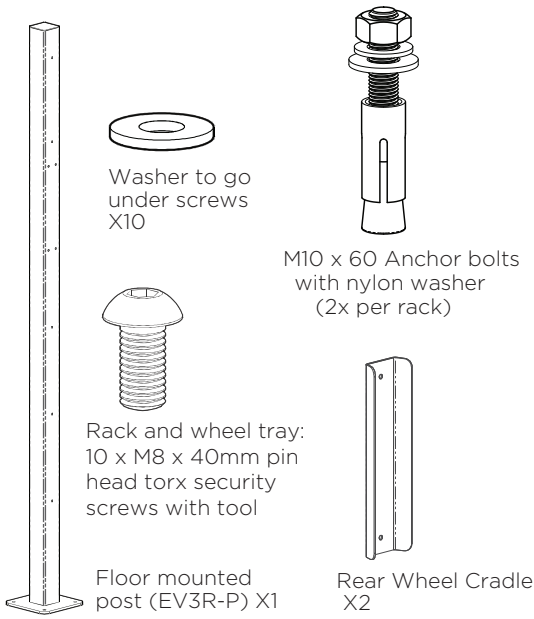
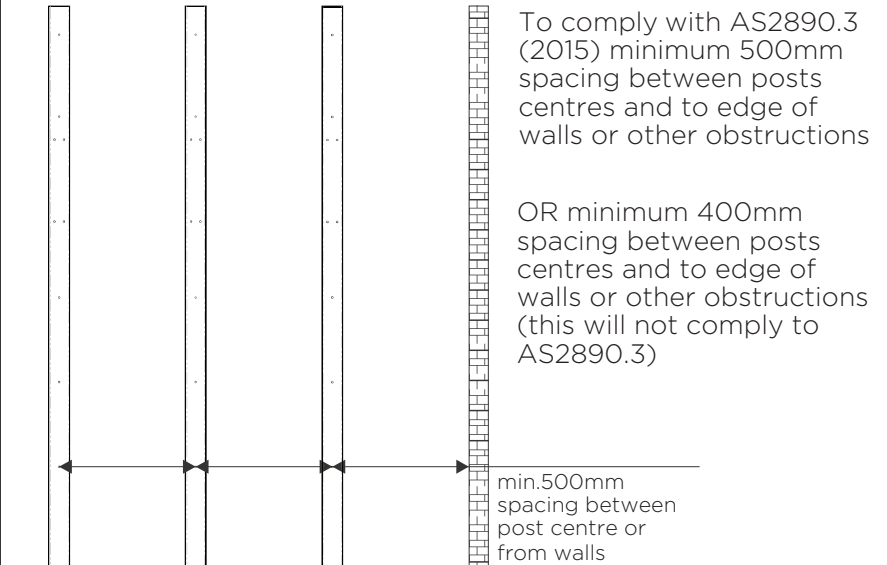


Bike Rack Installation Instructions

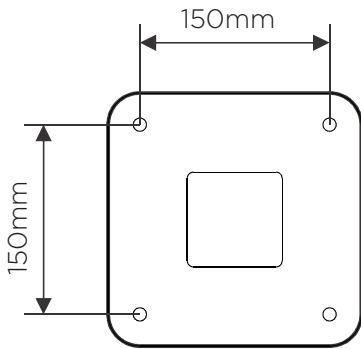
Cora Bike Rack - E3VRP (for mounting of E3VR and E3VRF only)



1. If mounting multiple posts, measure mounting distance between posts and other obstructions



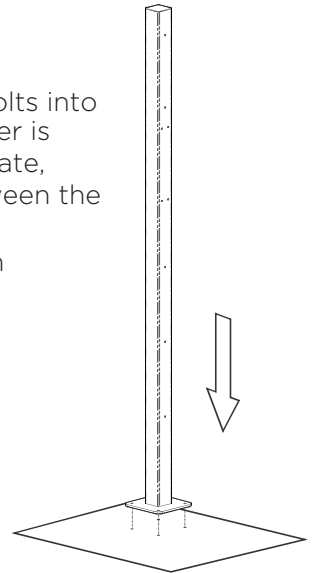
2. Drill holes in floor for location of anchor bolts



- Use dimensions above for anchor bolt drill hole locations
- Drill or core hole 10mm diameter and 75mm min. depth

3. Fix post to floor

- Locate post in position
- Insert four (x4) anchor bolts into holes. Ensure nylon washer is firmly against the base plate, and metal washer is between the plastic washer and nut.
- Tighten anchor bolts with standard supplied nut



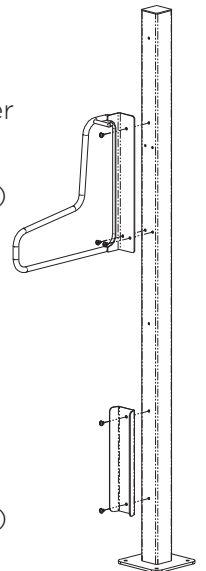
4. E3VR/ E3VR-F Post mounting

- There are upper and lower mounting positions on each post.
- Use only the post mounting fixings included with the E3VR-P post
- Do not use the wall mount fixings included with each E3VR or E3VR-F rack, but keep the security screw tool bit.
- NOTE: The E3VR-P includes fixings and rear wheel cradles for use on both sides of post. You may only require fixings and rear wheel tray for single sided use.



Rack in top position

- If rack is in top location, rear wheel cradle should use upper two holes in base of post
- Use supplied security screws with one (1) screw and one (1) washer per hole



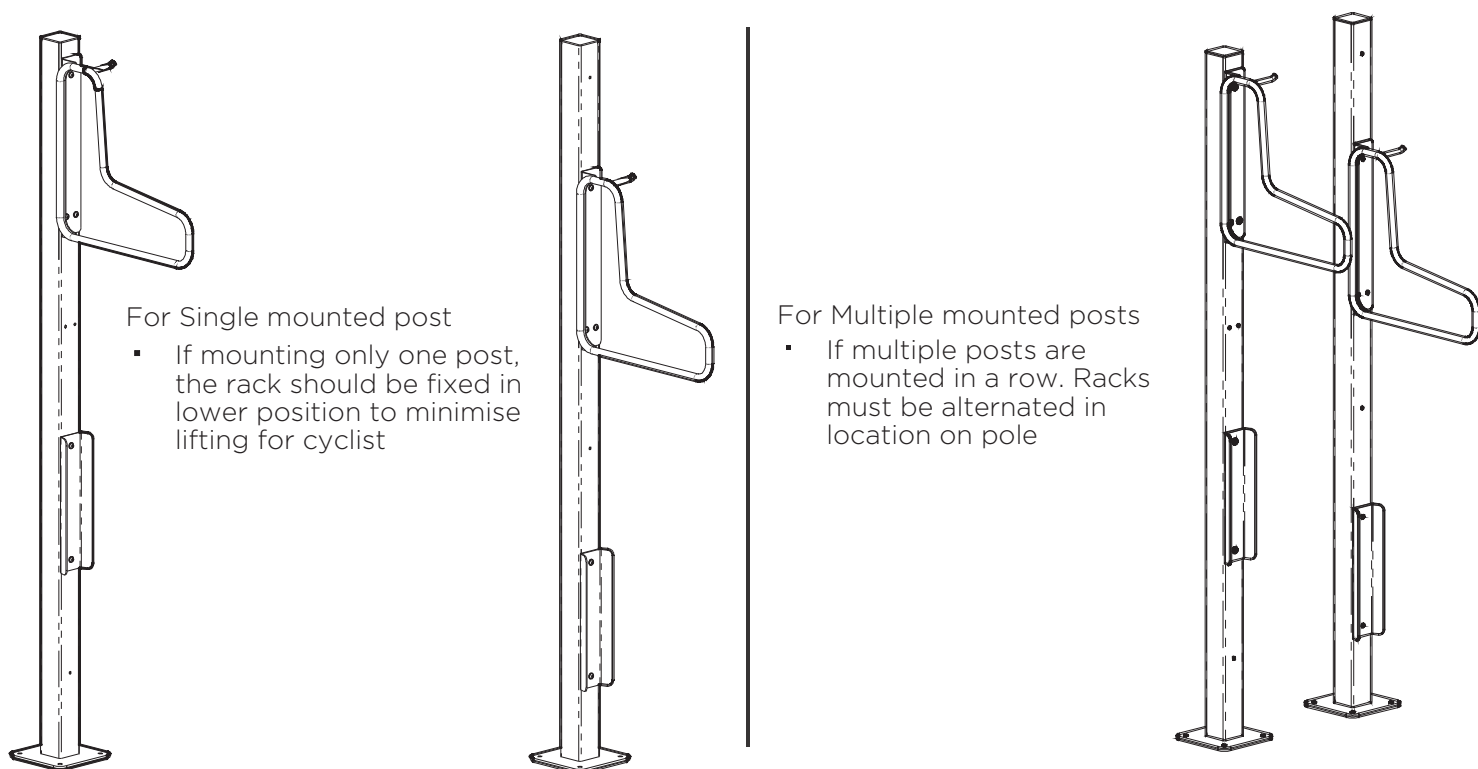
Rack in lower position

- If rack is in bottom location, rear wheel cradle should use lower two holes in base of post
- Use supplied security screws with one (1) screw and one (1) washer per hole

Bike Rack Installation Instructions

Cora Bike Rack - E3VRP (for mounting of E3VR and E3VRF only)

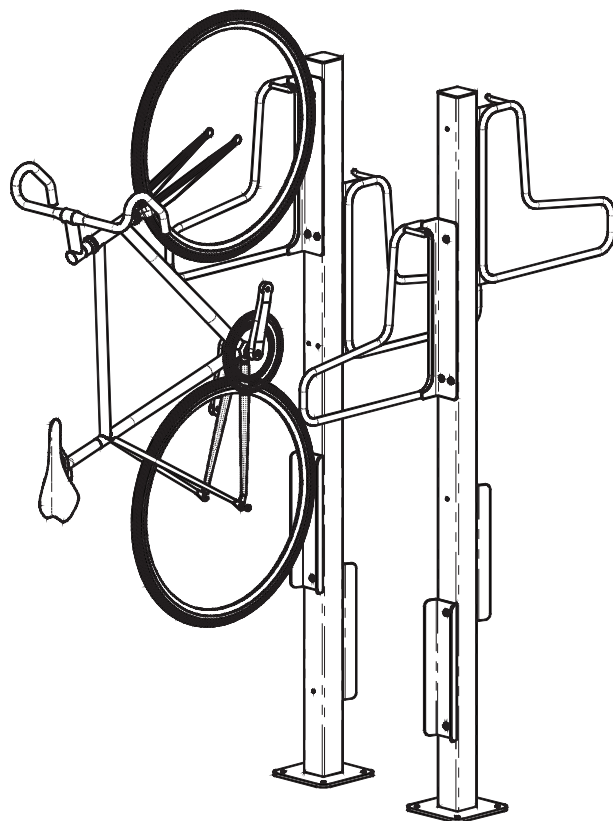
5. Rack positions on post, for single or multiple post



6. Dual sided mounting of racks to post

Dual sided mounting of racks to post

- Racks can be mounted to both sides of post
- For multiple post installations, rack locations on post should be alternated, on both sides of post



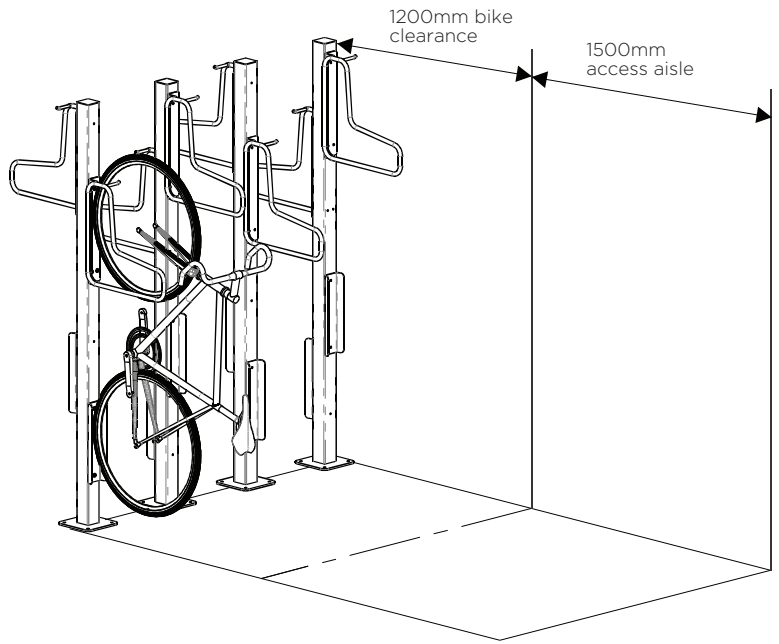
Bike Rack Installation Instructions

Cora Bike Rack - E3VRP (for mounting of E3VR and E3VRF only)

7. Access and clearance around mounted racks

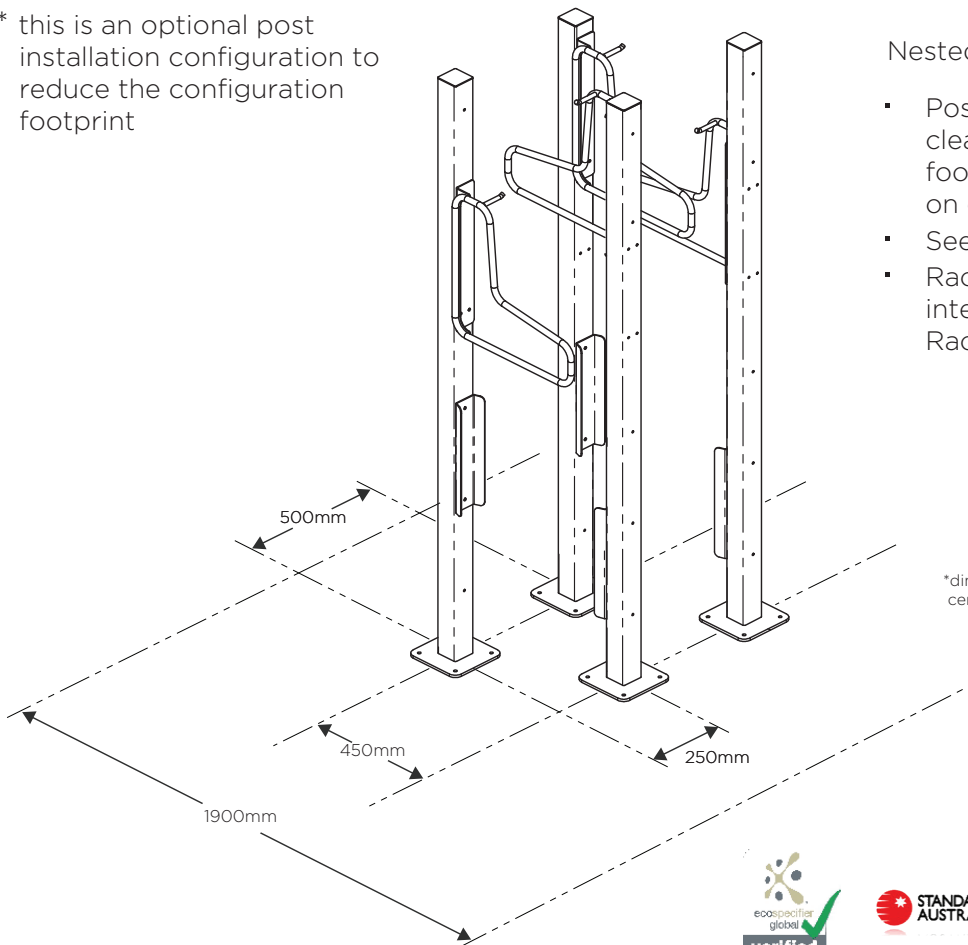
Access dimensions around posts and racks

- Posts are to be mounted with minimum clearance zones from any side a rack is mounted.
- Min. 1200mm from post for bike clearance, min. 1500mm additional for access aisle.



8. Nesting racks - Single side mounting layout

- * this is an optional post installation configuration to reduce the configuration footprint



Nested single side mounting

- Posts are to be mounted with clearance shown here - a 2000mm footprint with 1500mm clearance on either side
- See diagram for spacing details
- Racks should be positioned on the internal side of the posts as shown. Racks should alternate in height.

*dimension is from the centre of posts

NOTE: Not to scale follow dimensions shown



CORA
BIKERACK

PH 1800 249 878

sales@cora.com.au

www.cora.com.au