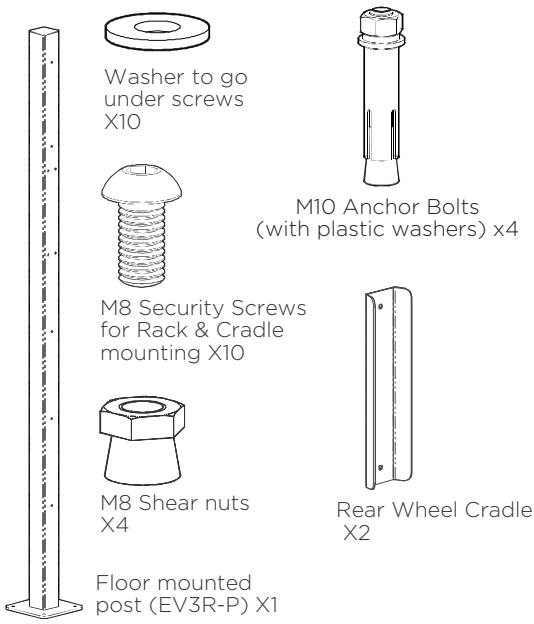
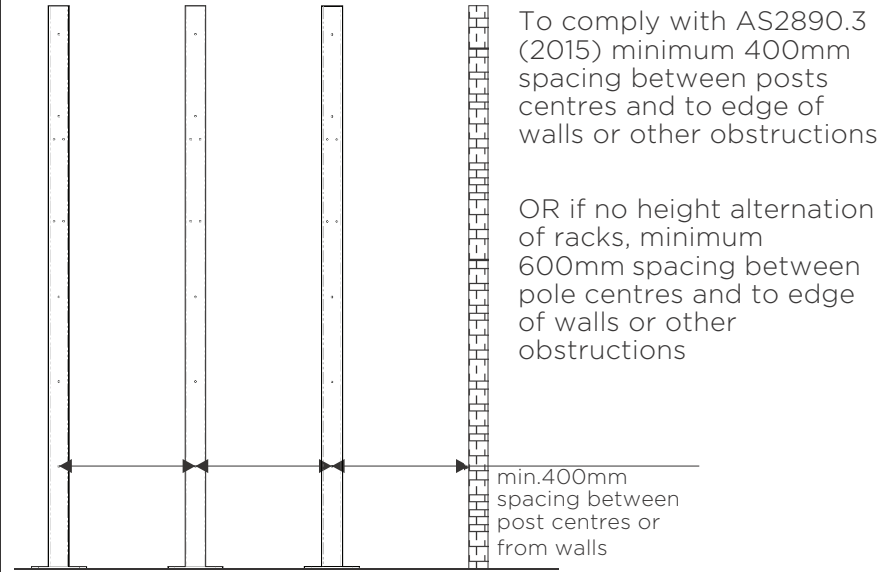


Bike Rack Installation Instructions

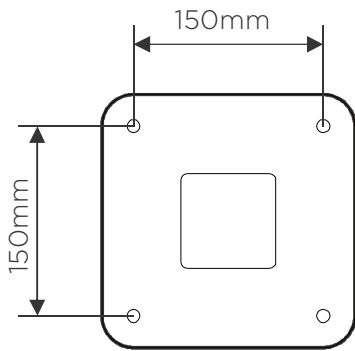
Cora Bike Rack - E3VR-P (for mounting E3VR-DYN Racks)



1. If mounting multiple posts for E3VR-DYN racks, measure mounting distance between posts and other obstructions



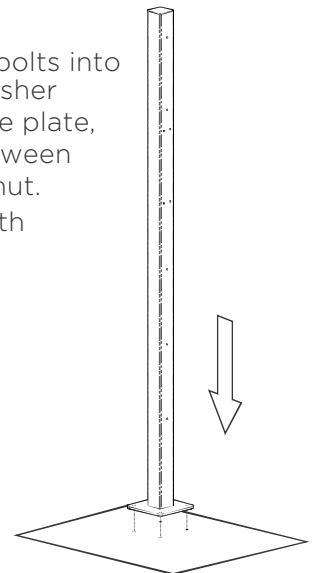
2. Drill holes in floor for location of anchor bolts



- Use dimensions above for anchor bolt drill hole locations
- Drill or core hole 10mm diameter and 75mm min. depth

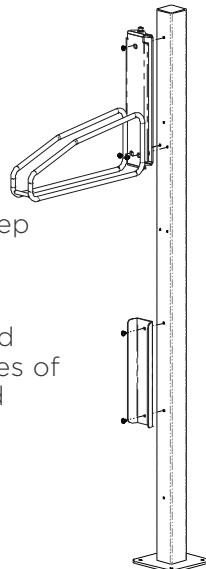
3. Fix post to floor

- Locate post in position
- Insert four (x4) anchor bolts into holes. Ensure plastic washer is firmly against the base plate, and metal washer is between the plastic washer and nut.
- Tighten anchor bolts with standard supplied nut



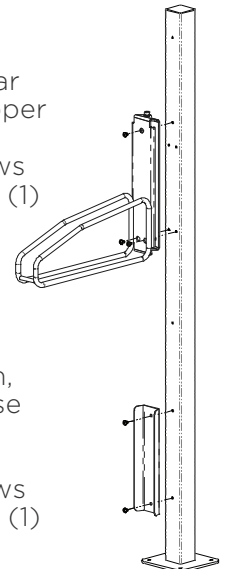
4. E3VR-DYN mounting

- There are upper and lower mounting positions on each post.
 - Use only the post mounting fixings included with the E3VR-P post
 - Do not use the wall mount fixings included with each E3VR-DYN, but keep the security screw tool bit.
- NOTE: The E3VR-P includes fixings and rear wheel cradles for use on both sides of post. You may only require fixings and rear wheel tray for single sided use.



Rack in top position

- If rack is in top location, rear wheel cradle should use upper two holes in base of post
- Use supplied security screws with one (1) screw and one (1) washer per hole



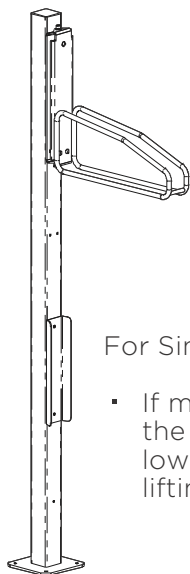
Rack in lower position

- If rack is in bottom location, rear wheel cradle should use lower two holes in base of post
- Use supplied security screws with one (1) screw and one (1) washer per hole

Bike Rack Installation Instructions

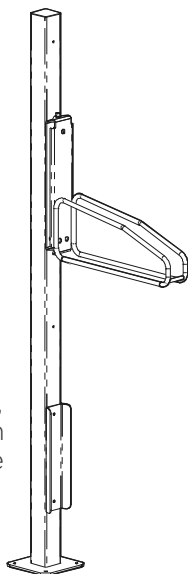
Cora Bike Rack - E3VR-P (for mounting E3VR-DYN Racks)

5. Rack positions on post, for single or multiple post



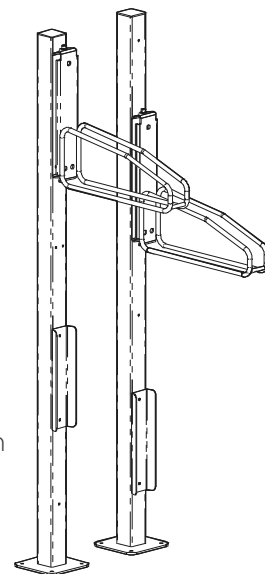
For Single mounted post

- If mounting only one post, the rack should be fixed in lower position to minimise lifting for cyclist

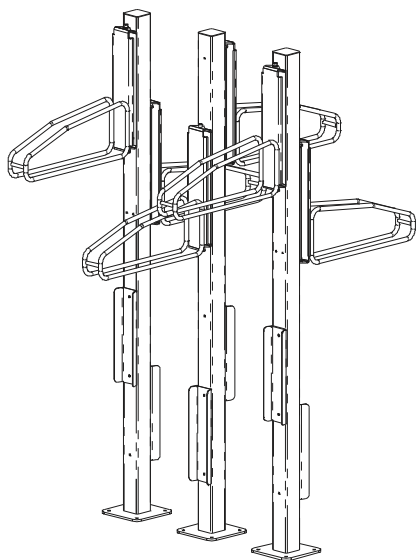


For Multiple mounted posts

- If multiple posts are mounted in a row, at min. 400mm centres. Racks must be alternated in location on pole to comply with AS2890.3 (2015)



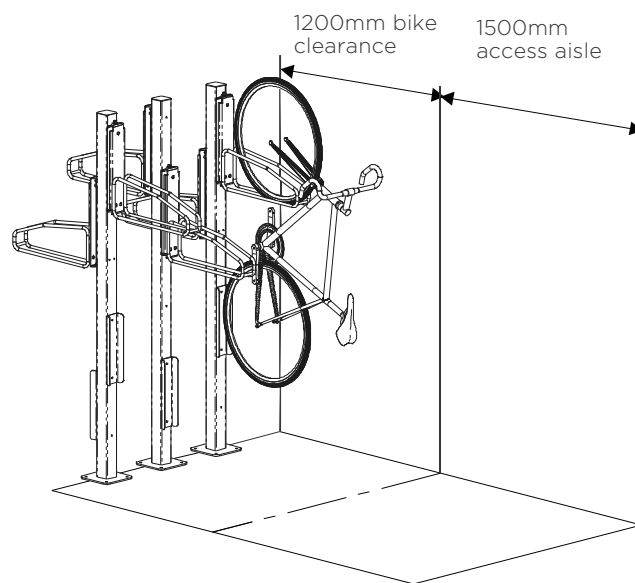
6. Dual sided mounting of racks to post



Dual sided mounting of racks to post

- Racks can be mounted to both sides of post
- For multiple post installations, rack locations on post should be alternated, on both sides of post

7. Access and clearance around mounted racks



Access dimensions around posts and racks

- Posts are to be mounted with minimum clearance zones from any side a rack is mounted.
- Min. 1200mm from post for bike clearance, min. 1500mm additional for access aisle.

