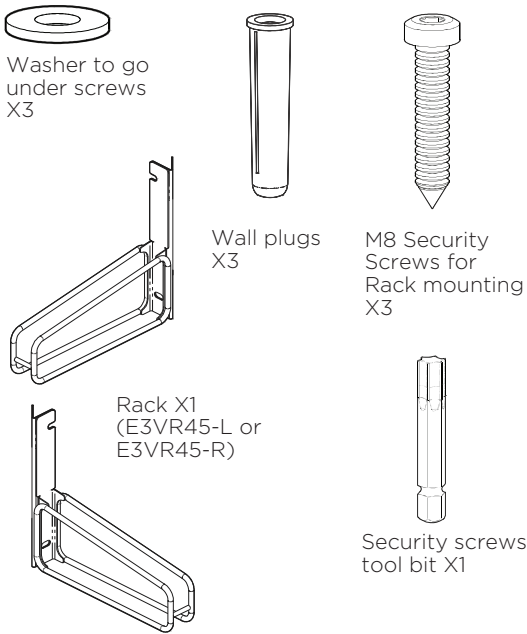
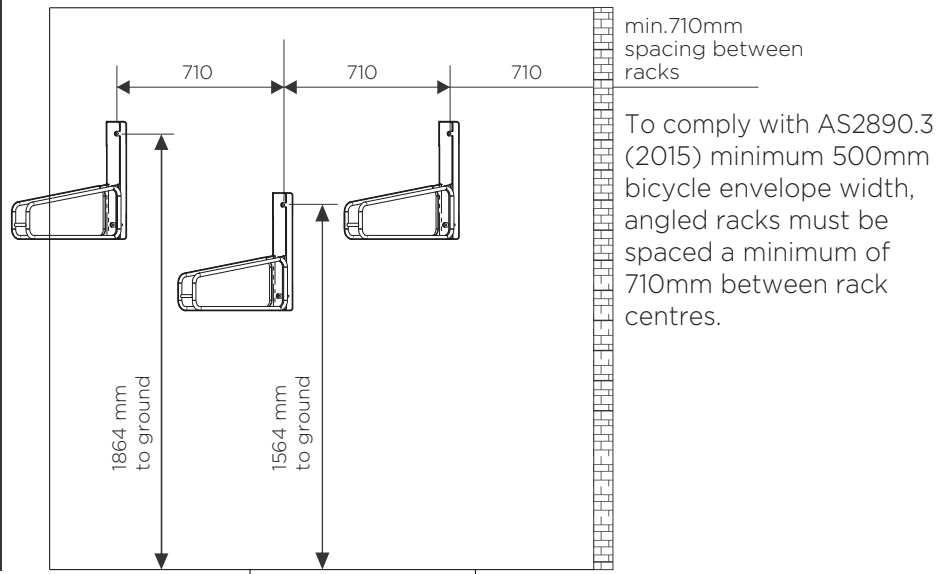


Bike Rack Installation Instructions

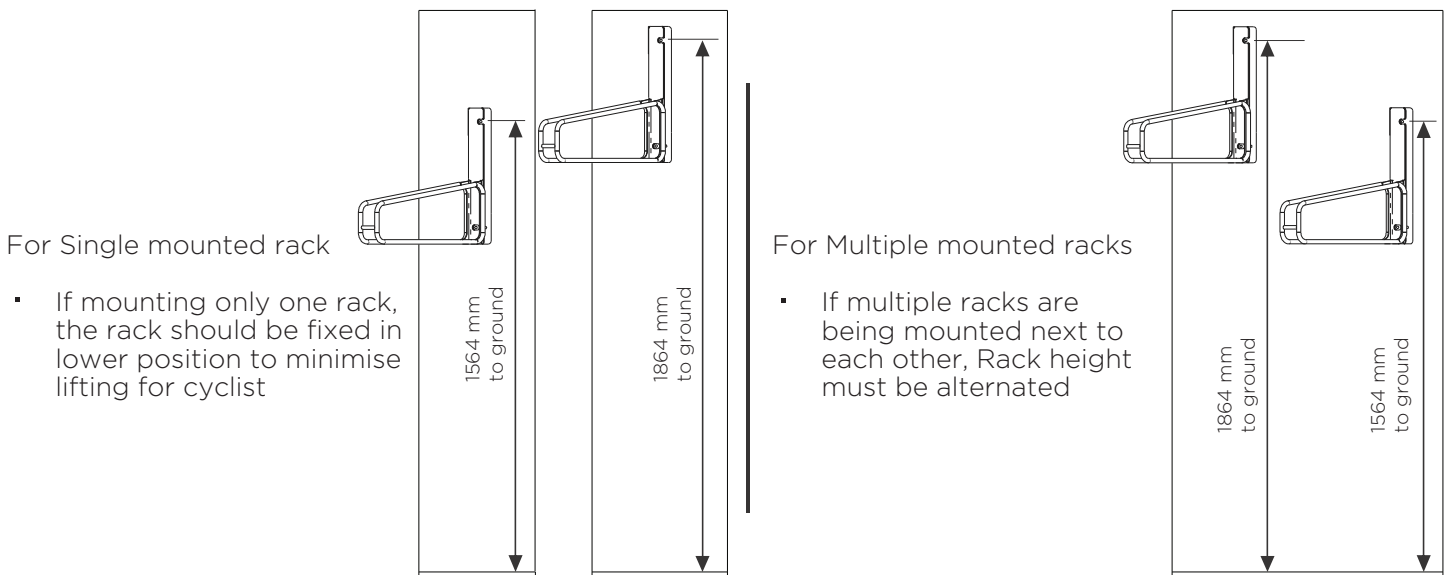
Cora Bike Rack - E3VR45-R and E3VR45-L



1. If mounting multiple racks, measure mounting distance between racks and other obstructions and height from ground

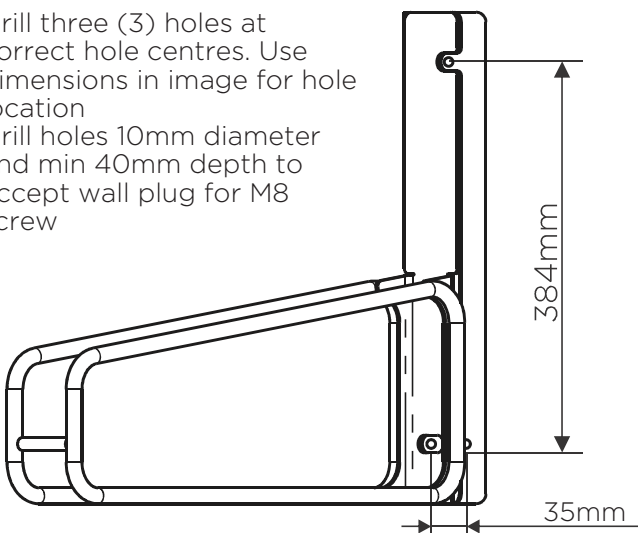


2. Mounting height of single or multiple adjacent racks (E3VR45-L or E3VR45-R)

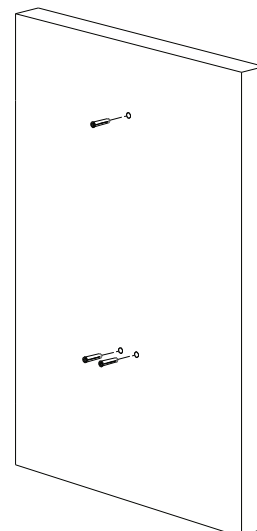


3. Drill mounting holes in wall

- Drill three (3) holes at correct hole centres. Use dimensions in image for hole location
- Drill holes 10mm diameter and min 40mm depth to accept wall plug for M8 screw



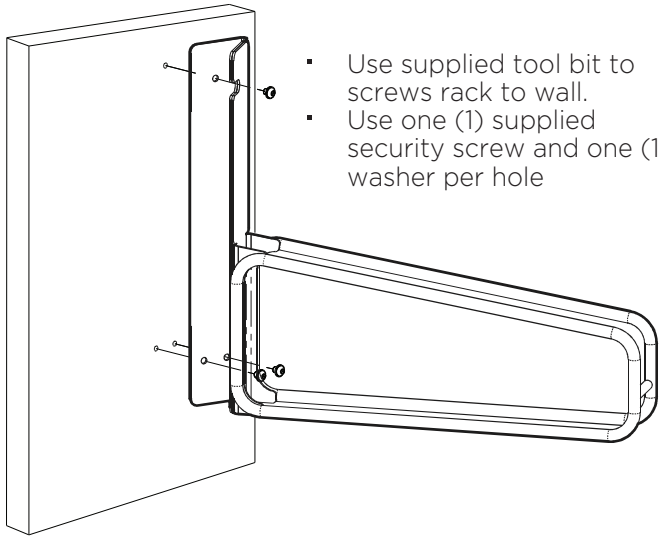
4. Insert wall plugs



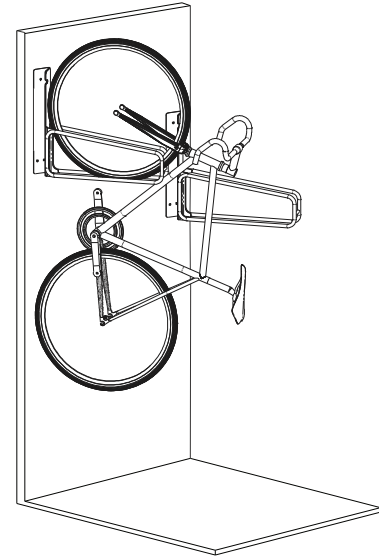
Bike Rack Installation Instructions

Cora Bike Rack - E3VR45-R and E3VR45-L

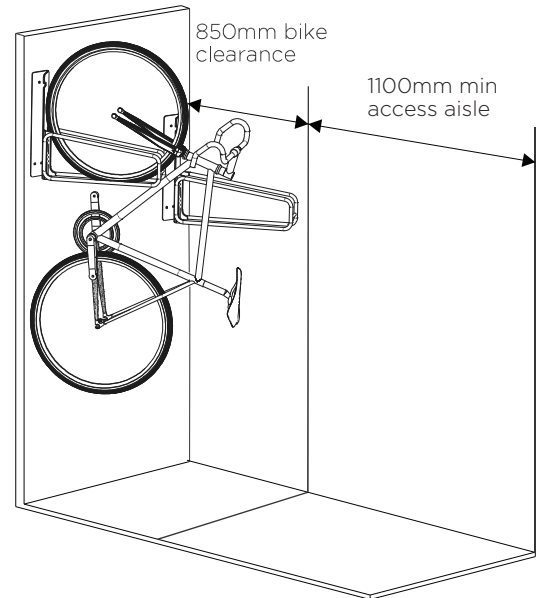
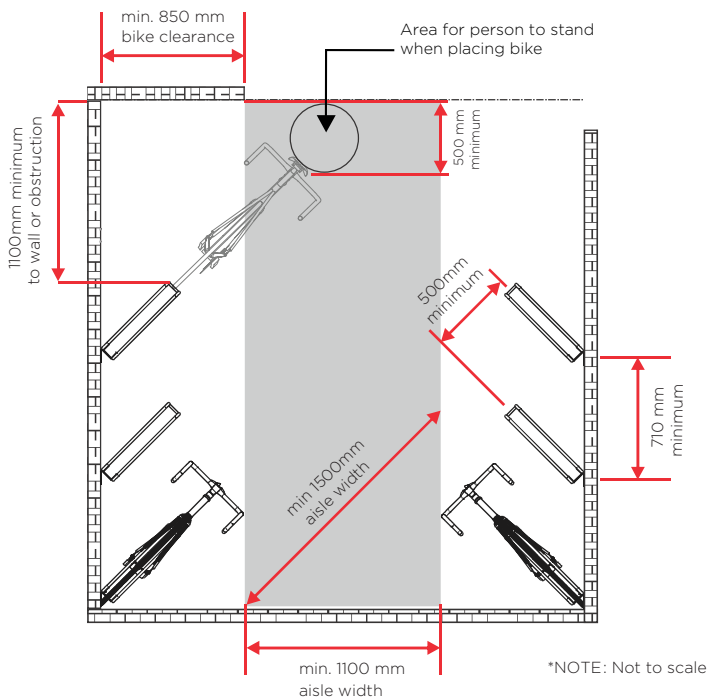
5. Fasten rack to wall (Either E3VR45-R or E3VR45-L)



- Use supplied tool bit to screws rack to wall.
- Use one (1) supplied security screw and one (1) washer per hole



6. Access and clearance around mounted racks



Access dimensions around racks

- Racks are to be mounted with minimum clearance zones from any wall a rack is mounted to
- Min. 850mm from wall for bike clearance & minimum 1500mm (diagonal) additional for access aisle
- For E3VR45 racks, To comply with AS2890.3 (2015) minimum 500mm spacing between bikes, racks to be mounted at 710mm centers



PH 1800 249 878

sales@cora.com.au

www.cora.com.au