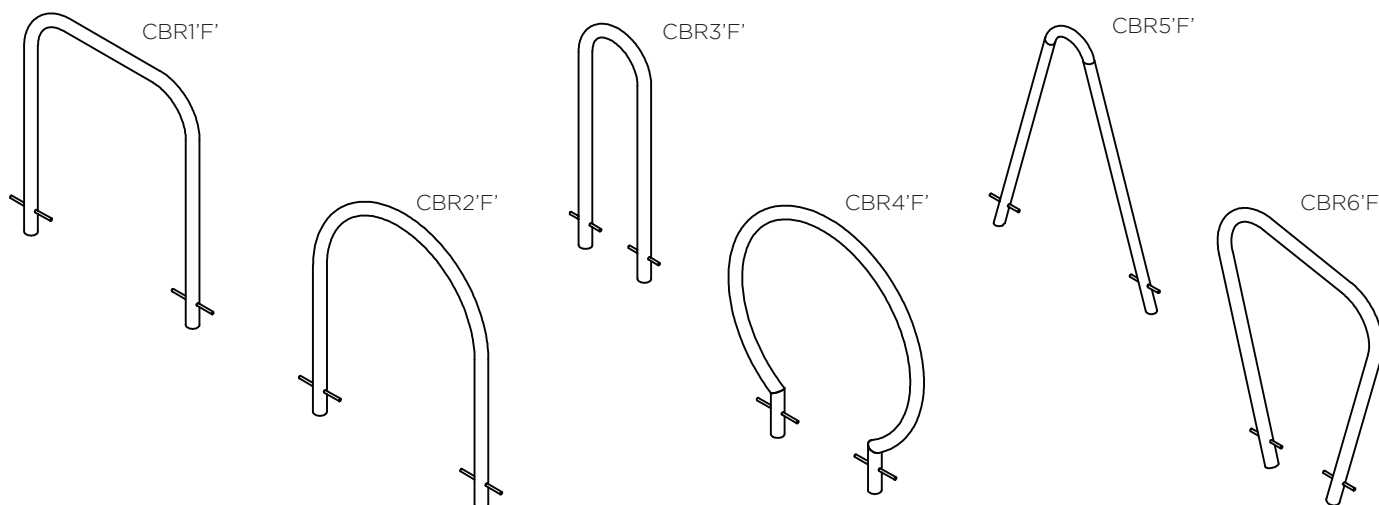


Bike Rack Installation Instructions

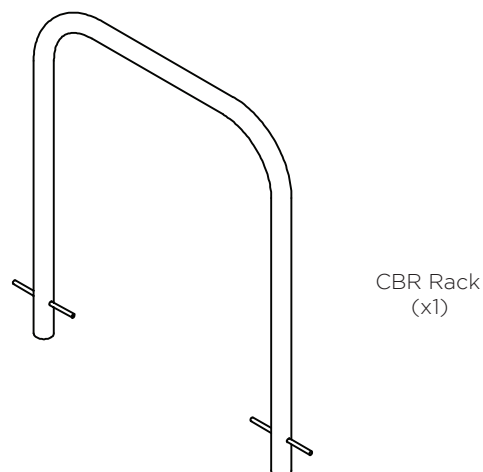
Cora Bike Rack - CBR Rack Series (CBR'F' Fixed Insitu Mounting Version)

This instruction sheet is to be used for CBR'F' Series racks including **CBR1**, **CBR2**, **CBR3**, **CBR4**, **CBR5**, **CBR6**.



Cora - Bike Rack CBR Series (All models shown)

Components for CBR Rack used in assembly



1. Site selection

When selecting a site for your new bicycle rack, the most important advice is;

Do not try to hide it, as it will not be used!

Suitable locations include;

- Adjacent to entrance doors and in line of sight of a window
- Near high pedestrian traffic
- A flat location at the same surface level which cyclists use for access
- Covered areas

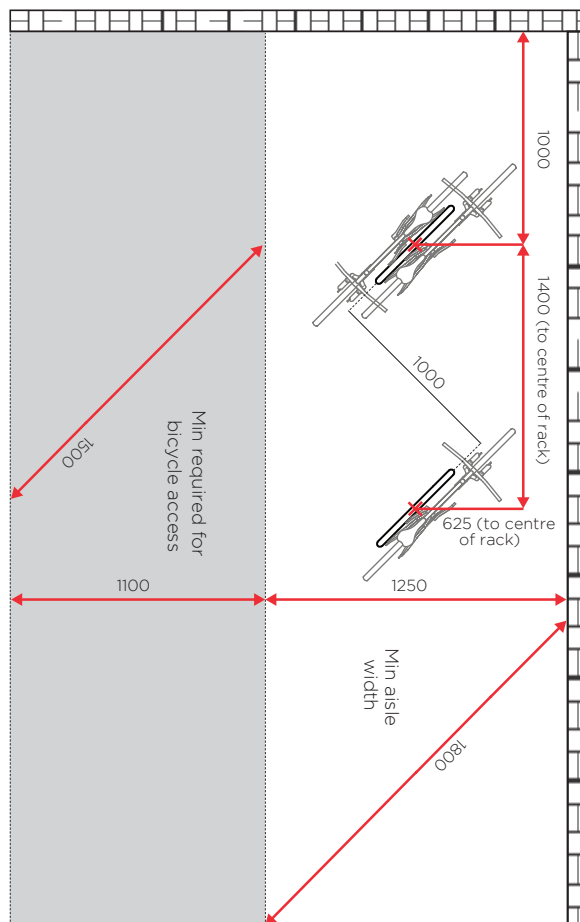
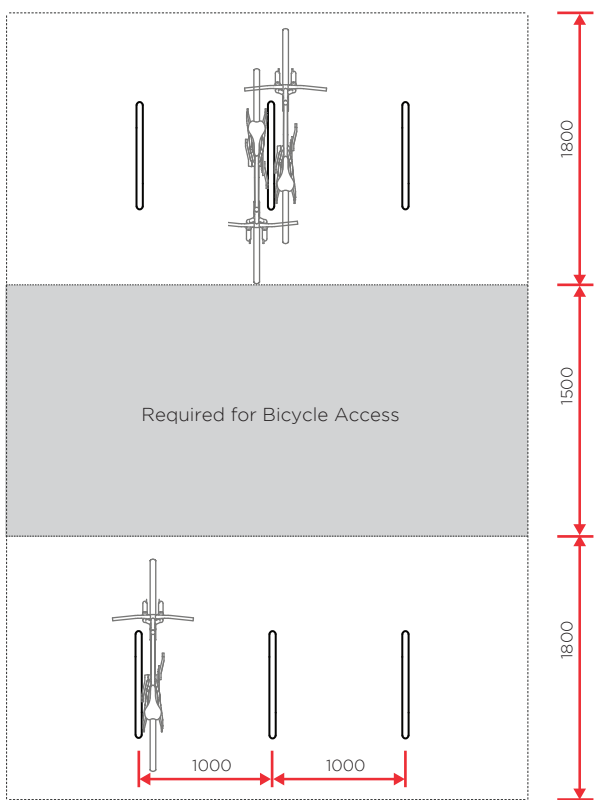
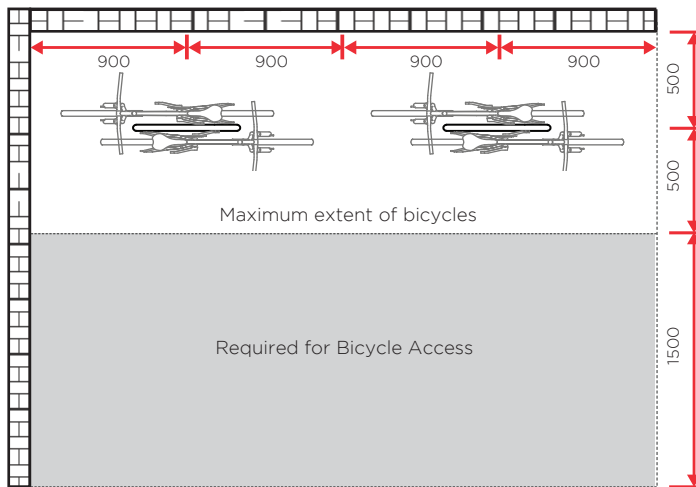
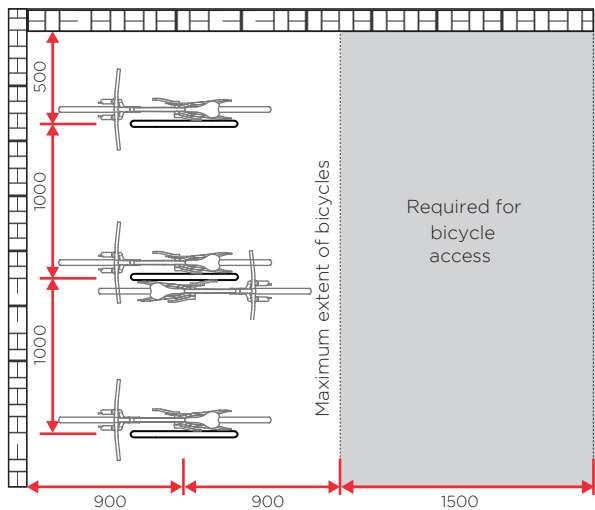
Other things to remember;

- Where a rack is being installed at an existing location, the rack should be placed where bicycles are currently parked
- When using a garage location, it is recommended to use a parking bay that is nearest to an entrance door.

Bike Rack Installation Instructions

Cora Bike Rack - CBR Rack Series (CBR'F' Fixed Insitu Mounting Version)

2. Access and clearance



*See product specification sheets for alternate mounting options. Can be found at cora.com.au

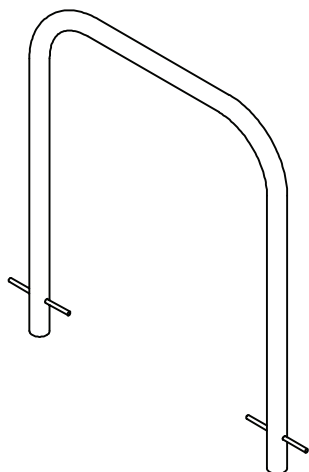
Access dimensions around racks

- Before mounting rack, find a suitable place that will allow for minimum spacing dimensions
- Ensure minimum spacing from walls, other racks or obstructions to allow for minimum access
- In multiple rack instal, racks may be mounted in an in-line cluster, parallel cluster, or angle cluster. See product specification sheets for alternate mounting options. Can be found at cora.com.au

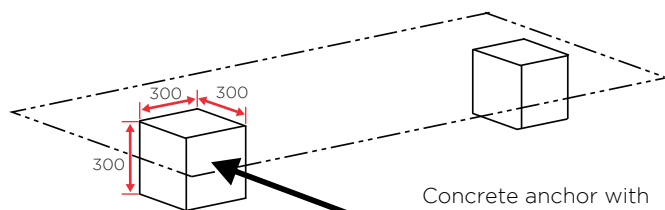
Bike Rack Installation Instructions

Cora Bike Rack - CBR Rack Series (CBR'F' Fixed Insitu Mounting Version)

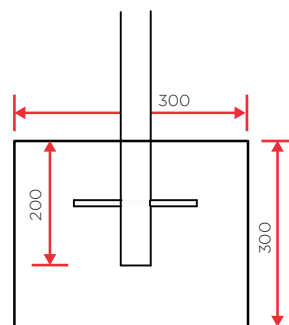
3. CBR'F' Series Fixing



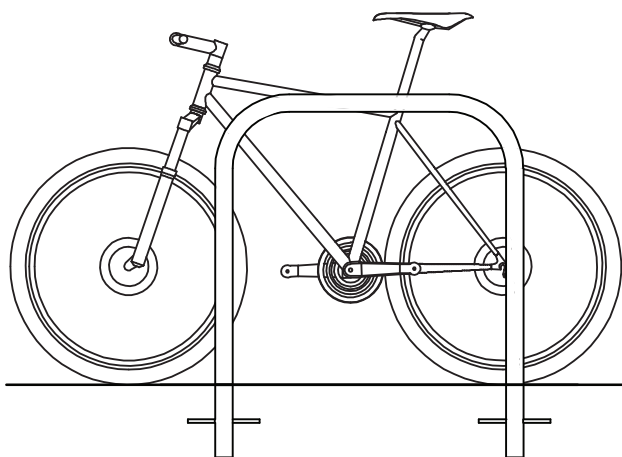
- Prepare quick set concrete bases with minimum dimensions of 300x300x300mm.
- Place bike parking rail into the wet concrete base - sinking the rail 200mm deep.
- Secure bike parking rail in place and in correct vertical position until secure in concrete.



Concrete anchor with minimum dimensions of 300x300x300mm under each of the 2 fixing points



4. Installation complete



Installation of the Cora CBR'F' rack is now complete



CORA
BIKERACK

PH 1800 249 878

sales@cora.com.au

www.cora.com.au