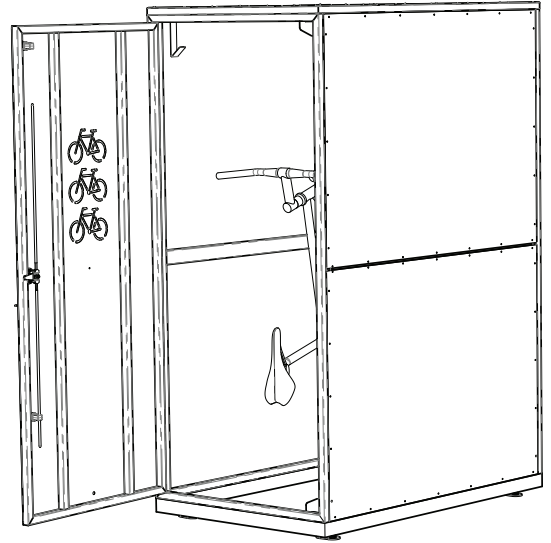
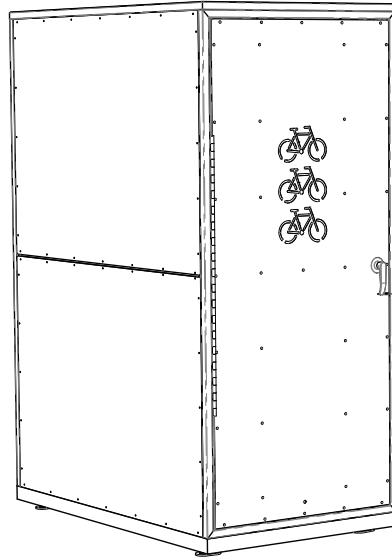


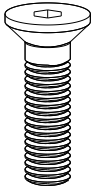
Locker Installation & Assembly Instructions

Cora Bike Rack - Vertical Bike Locker (CBLV-LD)

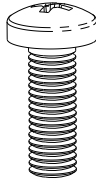
Cora - Vertical Single Bike Locker



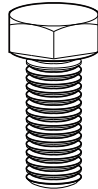
Components in Vertical Bike Locker used in assembly



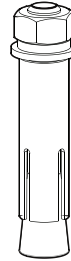
M5x35 CSK head fasteners (x3)



M5x35 Pan head fasteners (x45)



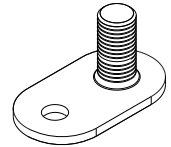
M8x20 Hex Head Bolts (x2)



M10 Anchor Bolts (x4)

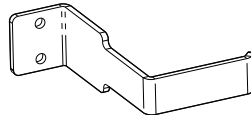


M10 Shear nuts (x4)

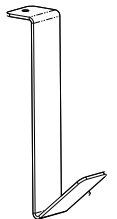


Adjustable levelling foot (x4 per base frame, may already be installed in base frame)

Locker Roof (x1 per locker)

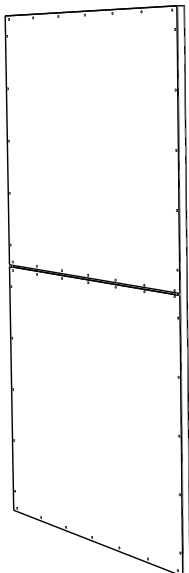


Wheel hook (x1 per locker)

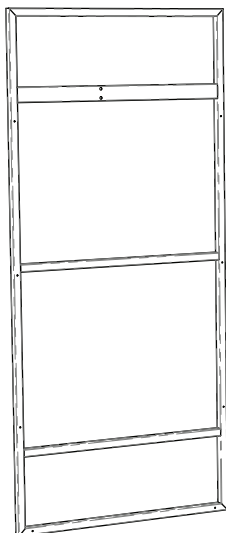


Helmet/ bag hook (x1 per locker)

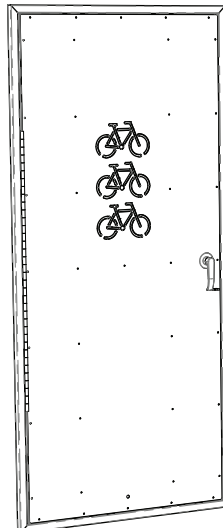
Locker side panels (x1 for left side, x1 for right side)



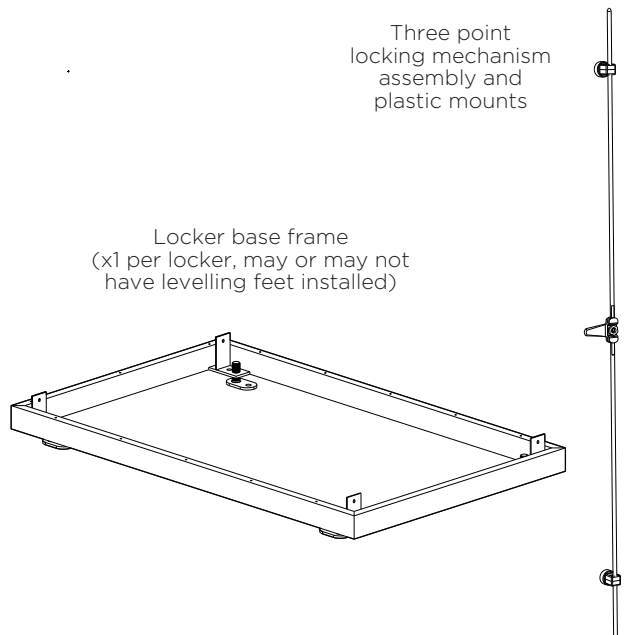
Locker rear panel frame assembly (x1 per locker)



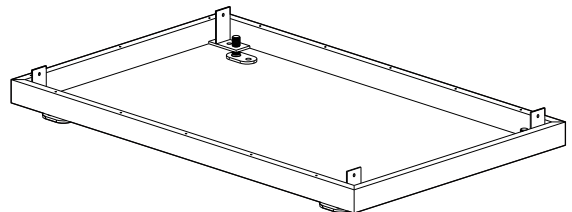
Locker door frame assembly (x1 per locker)



Three point locking mechanism assembly and plastic mounts



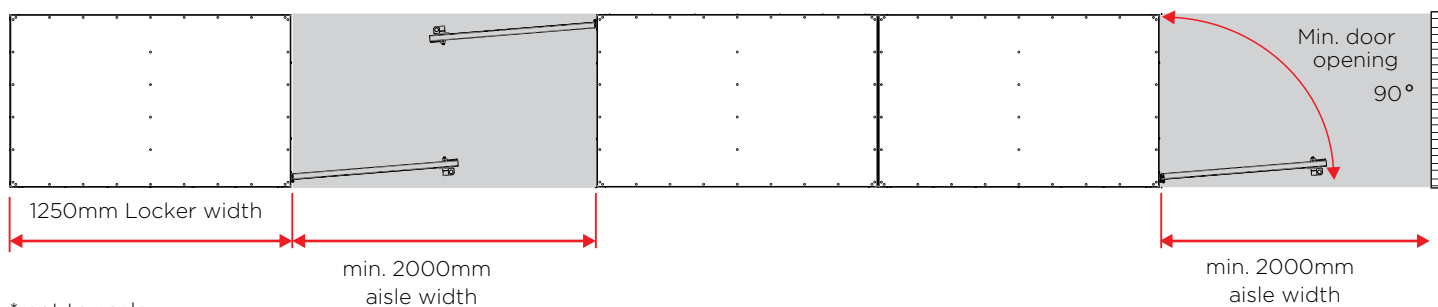
Locker base frame (x1 per locker, may or may not have levelling feet installed)



Locker Installation & Assembly Instructions

Cora Bike Rack - Vertical Bike Locker (CBLV-LD)

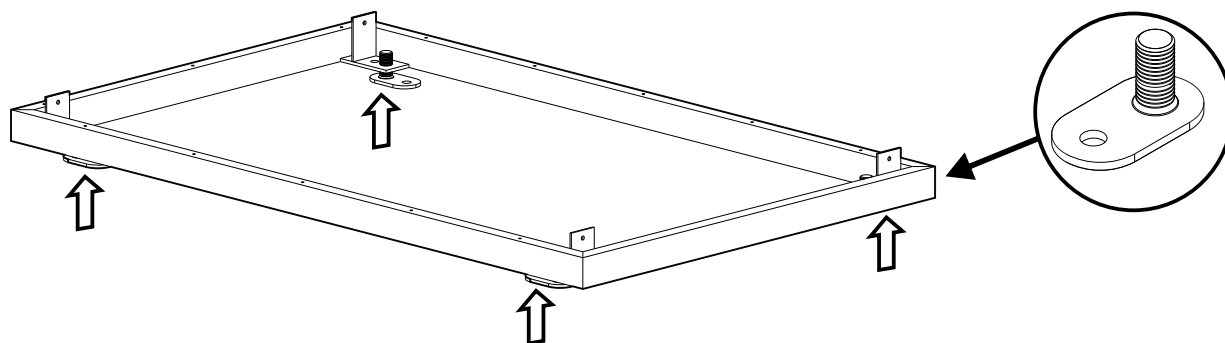
1. Access and clearance around mounted lockers



Access dimensions around lockers

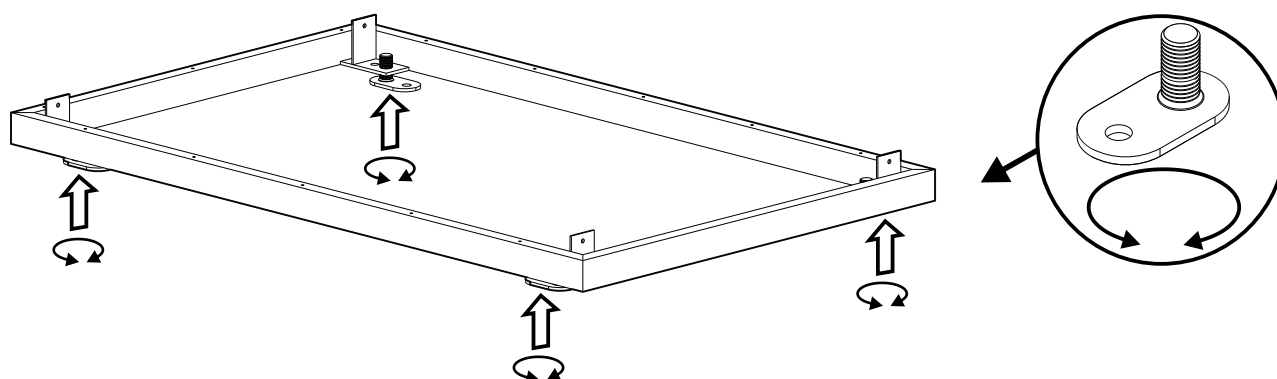
- Before mounting locker, find a suitable place that will allow for minimum spacing dimensions
- Ensure min distance of 2000mm is provided on door side of lockers to provide correct aisle space and access for bike
- Ensure minimum spacing from walls, lockers or obstructions to allow for minimum access
- In multiple locker instal, lockers may be mounted side by side with no gap

2. Assemble base frame



- Base frame should have one (X1) adjustable levelling foot per corner. Base frame may come with these already installed
- If base frame does not have adjustable levelling feet installed, screw in one foot per corner of frame. Feet to be screwed in from bottom of frame

3. Level base frame on ground at intal location



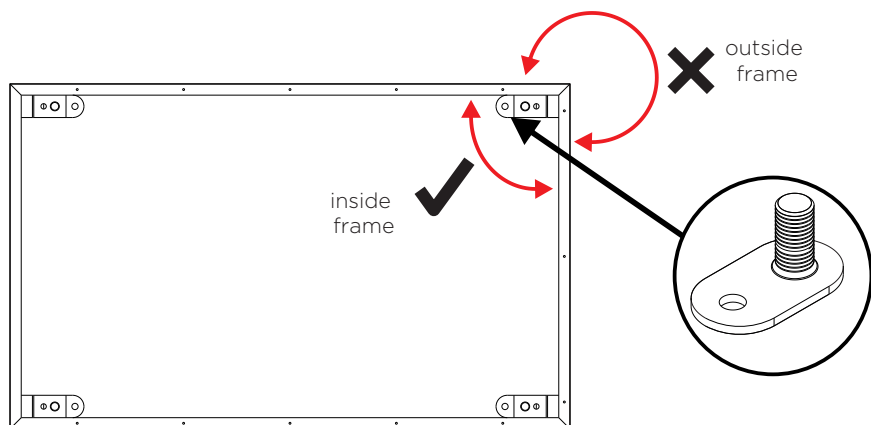
- Try to use an instal location where ground is already as flat and as unobstructed as possible (areas without bumps, dips, raised sections from roots or ground features).
- Ground type should be solid eg.: concrete, asphalt, bitumen etc.
- Level base frame by raising/ lowering corners by screwing adjustable feet in and out.
- Feet have a limited range of travel and may not accommodate all surfaces, levels or gradients
- Use spirit-level placed on top of frame, to assist in getting frame as level as possible.

NOTE: Ensure all feet contact with ground firmly after levelling, frame cannot rock or lean at any corner, or when fastened with anchor bolts, frame will be warped and not level and will effect assembly of locker.

Locker Installation & Assembly Instructions

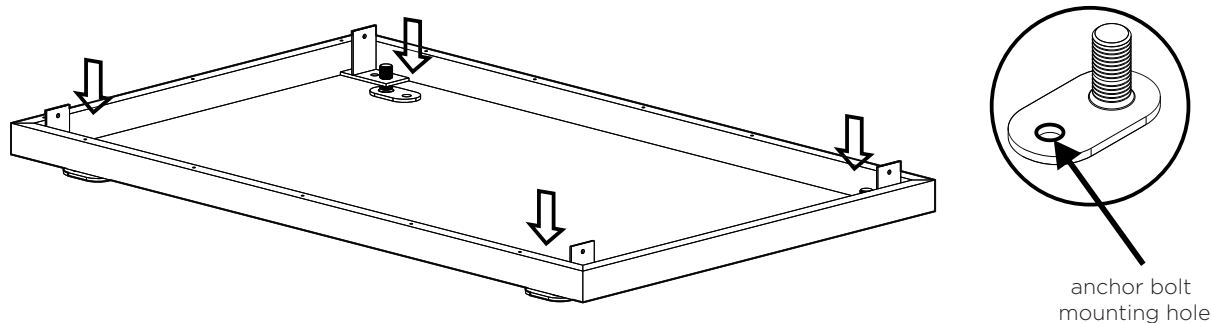
Cora Bike Rack - Vertical Bike Locker (CBLV-LD)

4. Position adjustable foot inside frame before fixing to ground



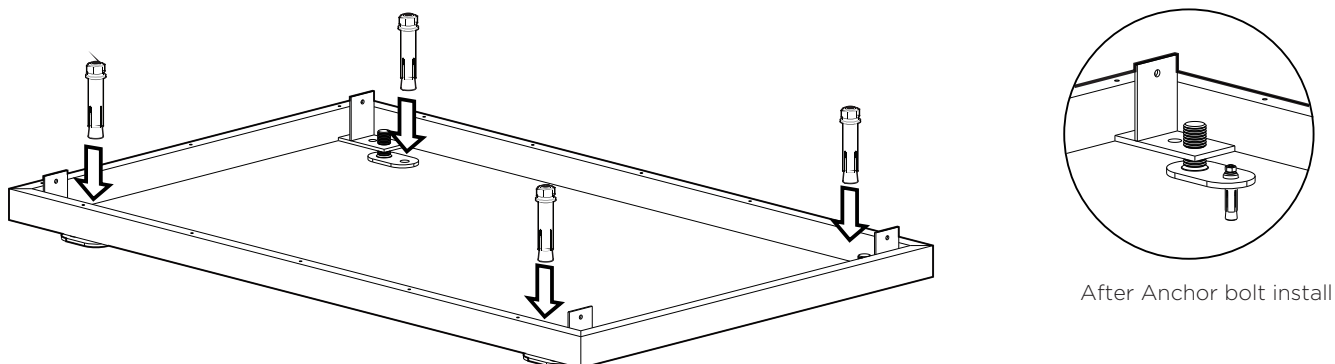
- After base frame has been levelled by adjusting corner feet, ensure foot's final position is located inside structure of base frame
- Hole on adjustable foot, is to be used for anchor bolt fixing of frame to ground and cannot be located outside of frame (for security anchor bolts to be inside locker frame structure when installed).

5. Drill holes in ground for location of anchor bolts



- Option 1: Leave base frame in place and drill holes for anchor bolts directly through hole in adjustable levelling feet.
- Option 2: Use holes in adjustable levelling feet to mark location of holes for anchor bolts. Mark holes while base frame is in correct position. Move frame away and drill holes
- Drill or core a hole using a 12mm diameter drill bit to 75mm min. depth

6. Install Anchor bolts, fix base frame to ground

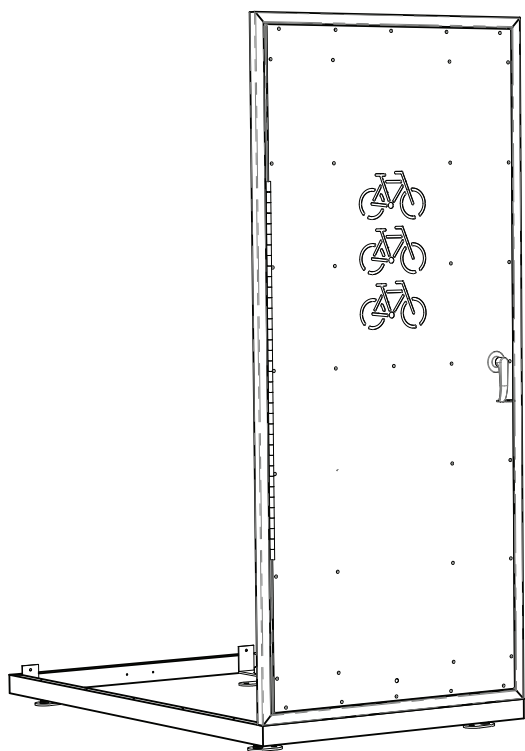


- Locate frame in position with holes in adjustable feet, over drilled holes in ground, knock anchor bolts (x4 one for each corner of frame) into ground through holes in adjustable feet.
- Check level of frame.
- Tighten anchor bolts with standard supplied nut
- After anchor bolt nut is tightened fully, install supplied shear nuts (x4 one per anchor bolt) onto top of thread
- Tighten shear nuts until head snaps off

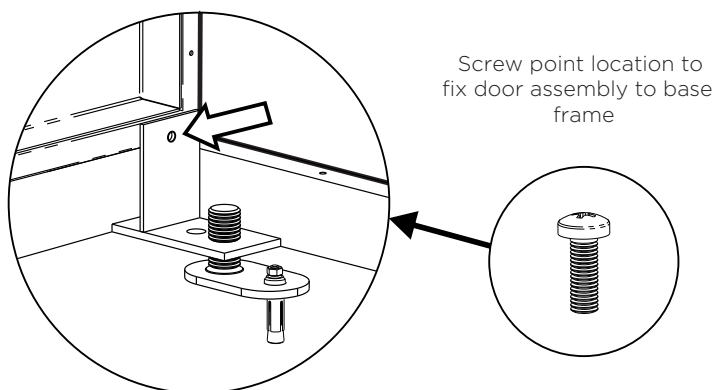
Locker Installation & Assembly Instructions

Cora Bike Rack - Vertical Bike Locker (CBLV-LD)

7. Attach door assembly to base frame

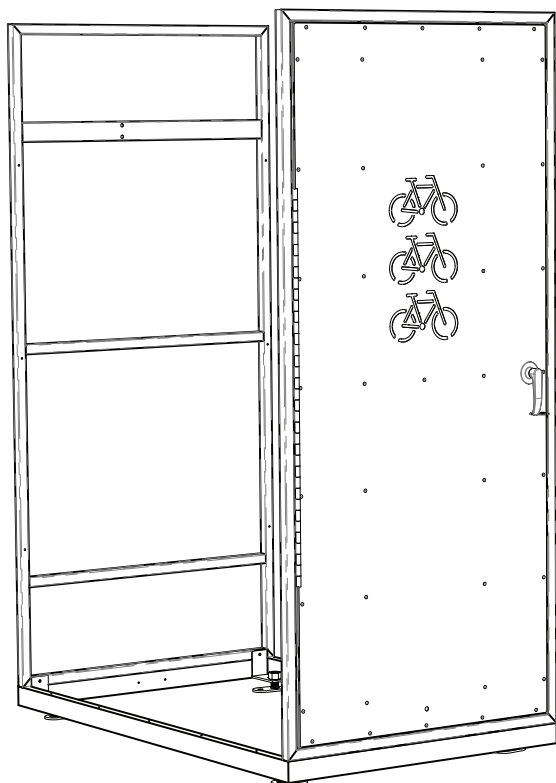


- Screw door assembly to base frame using two (x2) M5x35 Pan head screws.
- Rest door assembly on top of base frame (at end that the door should be located)
- Door assembly is fixed to one end of base frame, using the two (x2) screws at bottom of door frame, to secure door assembly to outside of tabs at end of base frame
- Door frame should be a supplied pre-assembly and include door frame, door, hinge, handle and exterior locking parts

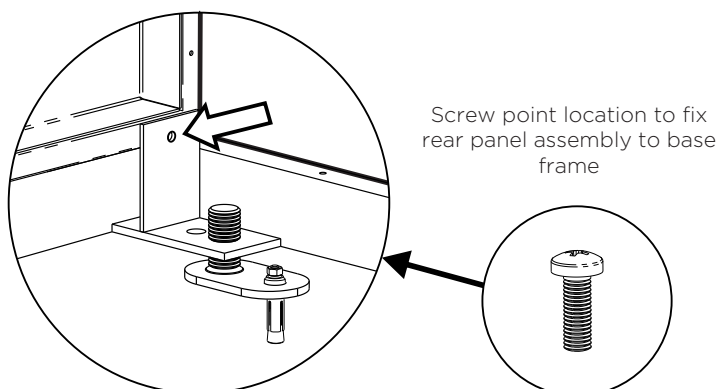


Screw point location to fix door assembly to base frame

8. Attach rear panel assembly to base frame



- Screw rear panel assembly to base frame using two (x2) M5 x 35 pan head screws.
- Rest panel assembly on top of base frame (at end that the rear panel should be located)
- Rear panel assembly is fixed to one end of base frame, using the two (x2) screws at bottom of panel frame, to secure panel assembly to outside of tabs at end of base frame
- Panel frame assembly should be a supplied pre-assembly and include rear panel frame, rear panel and wheel hook mounting support

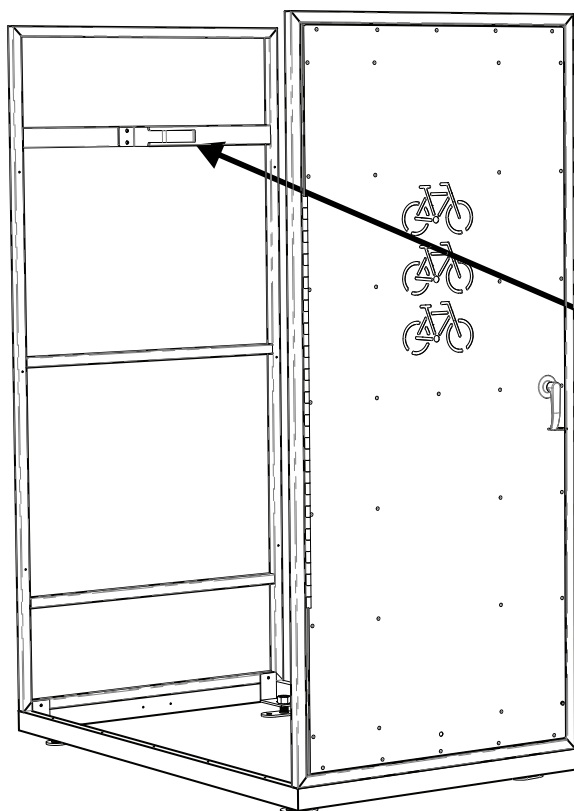


Screw point location to fix rear panel assembly to base frame

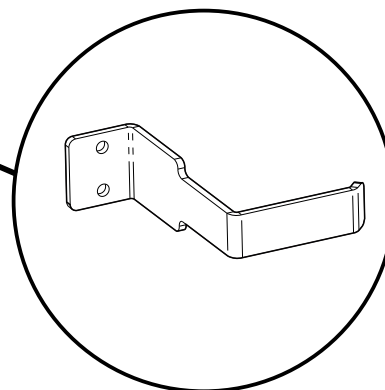
Locker Installation & Assembly Instructions

Cora Bike Rack - Vertical Bike Locker (CBLV-LD)

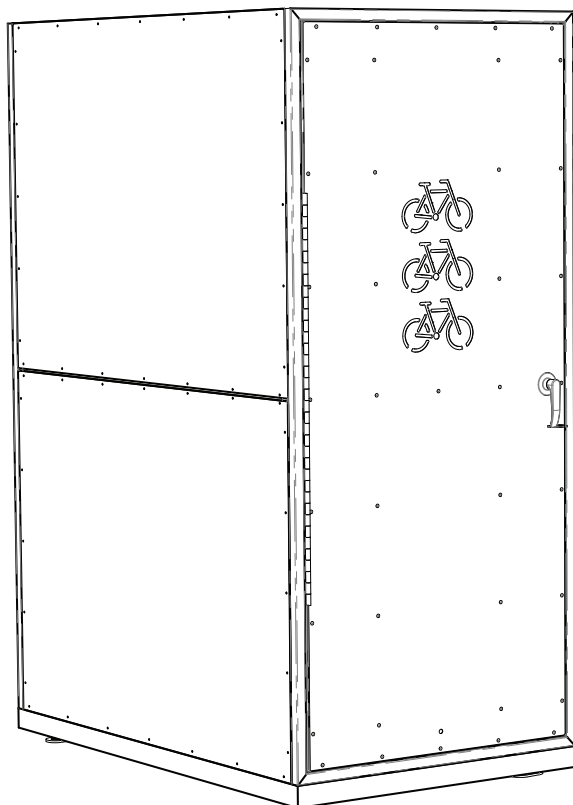
9. Attach wheel hook to rear panel frame



- Fix wheel hook to wheel hook support bracket on rear panel frame
- Fix wheel hook using x2 M8 Hex head bolts



10. Attach side panels to both sides of locker

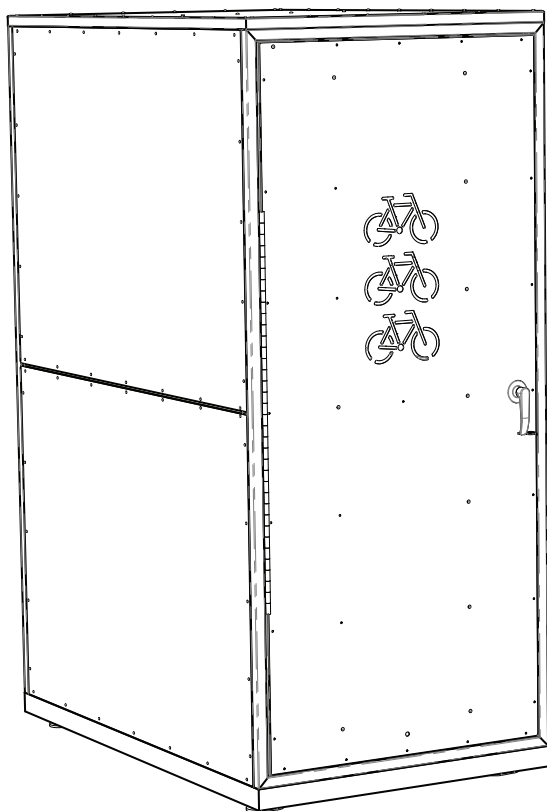


- Open door for easier access to screw panels on (fasteners are all internal to locker).
- Screw x2 side panels (one for each side of locker) using M5x35 Pan head screws.
- Screw through bottom frame of side panels to base frame and through end frame of side panels to both door and rear panel assembly frames.

Locker Installation & Assembly Instructions

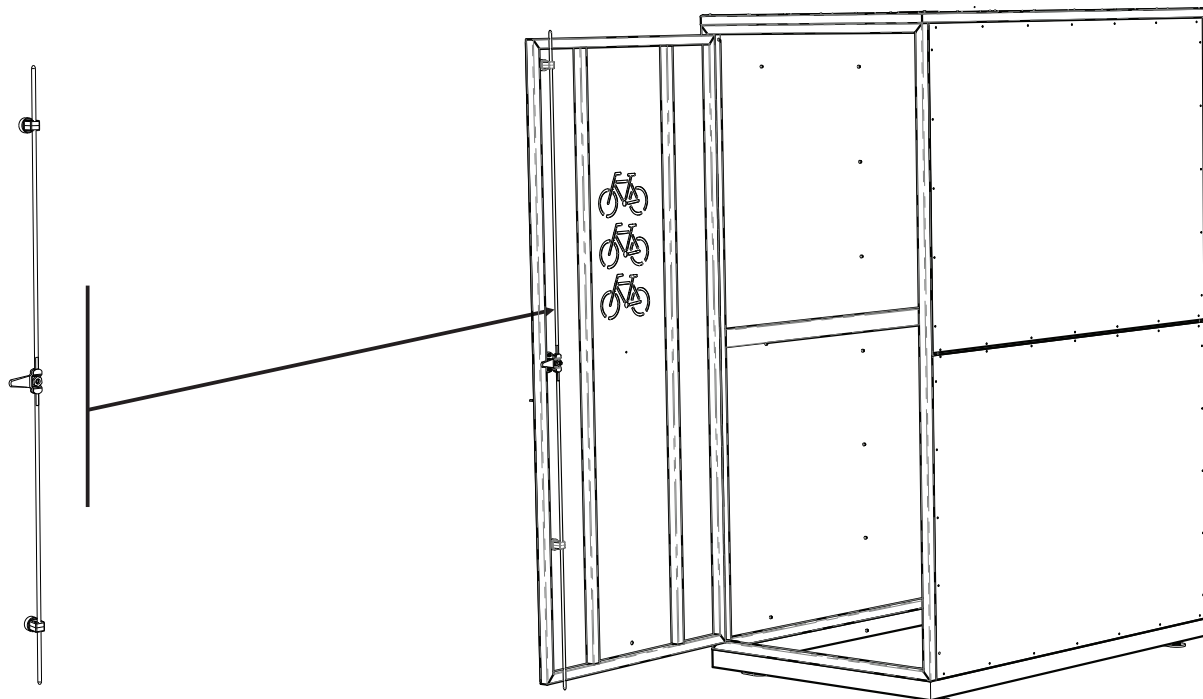
Cora Bike Rack - Vertical Bike Locker (CBLV-LD)

11. Attach roof to locker



- Open door for easier access to screw roof on (fasteners are all internal to locker).
- Roof is fixed via screwing from inside of locker, through top frames of both side panels, roof door and rear panel assembly into roof frame;
Side to roof - six (x6) M5x35 Pan head screws
Door to roof - three (x3) M5x35 CSK screws
Rear to roof - three (x3) M5x35 Pan head screws

12. Install 3 point locking mechanism

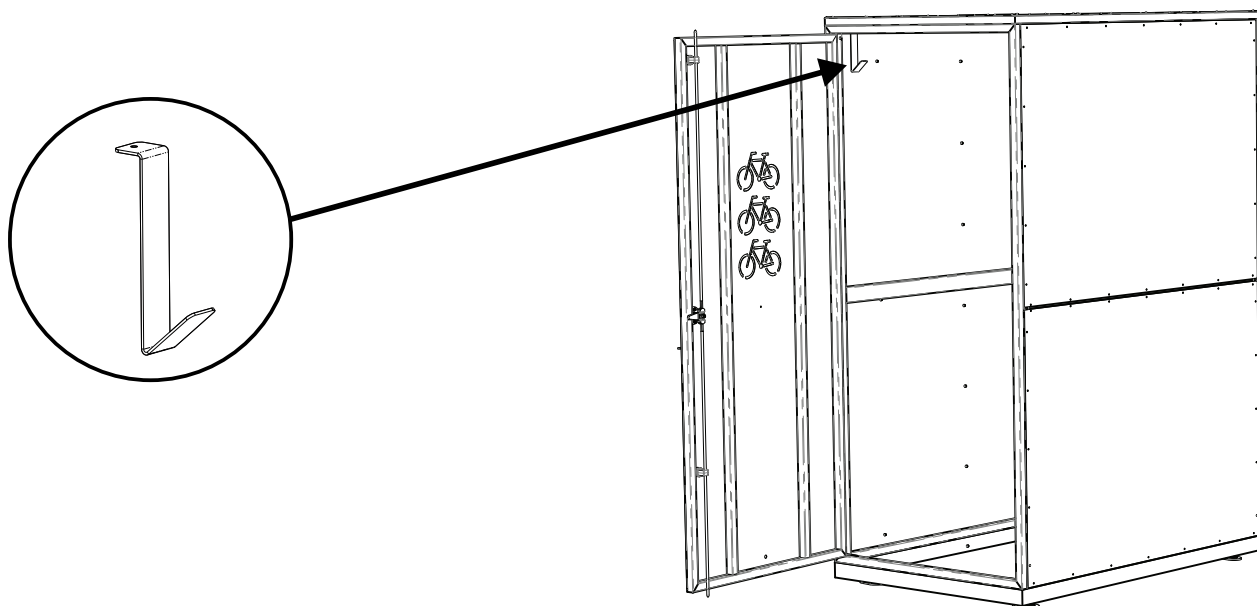


- Install 3-point locking mechanism to rear of door
- Mechanism is installed over threaded shaft of handle and secured by tightening supplied nut
- Position of main lock paw should be tuned so not to clash with door, but close door tightly.
- Two (X2) rod guides should also be screwed to inside face of each door
- Ensure rod guides are positioned to allow lock rods to travel freely without hitting inside or edges of door

Locker Installation & Assembly Instructions

Cora Bike Rack - Vertical Bike Locker (CBLV-LD)

13. Install bag/ helmet hook to inside top of locker (if supplied)



Installation of the Cora Vertical locker is complete



CORA
BIKERACK

PH 1800 249 878

sales@cora.com.au

www.cora.com.au