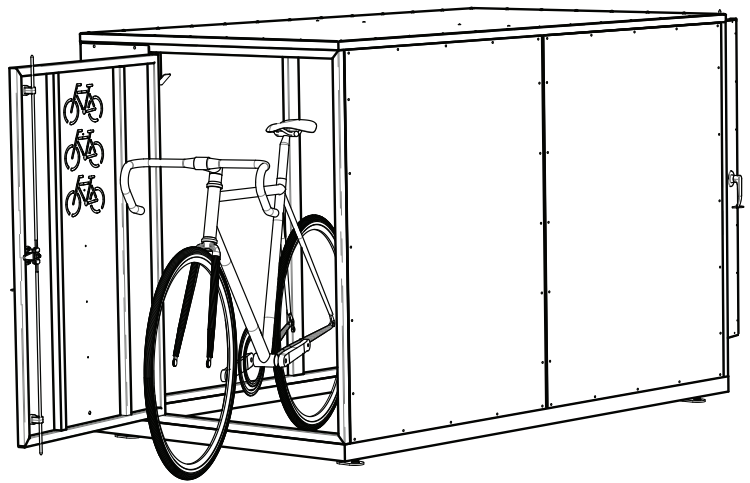
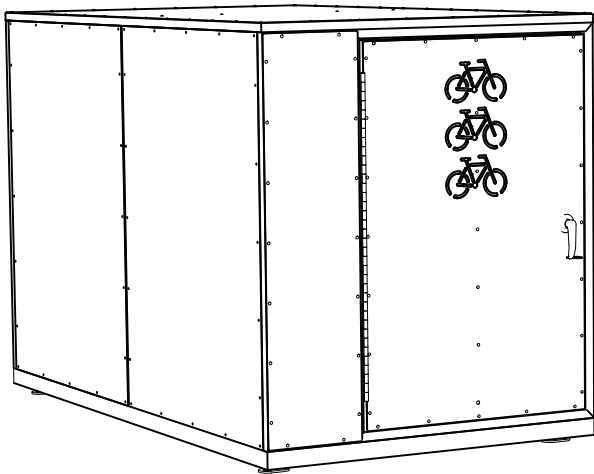


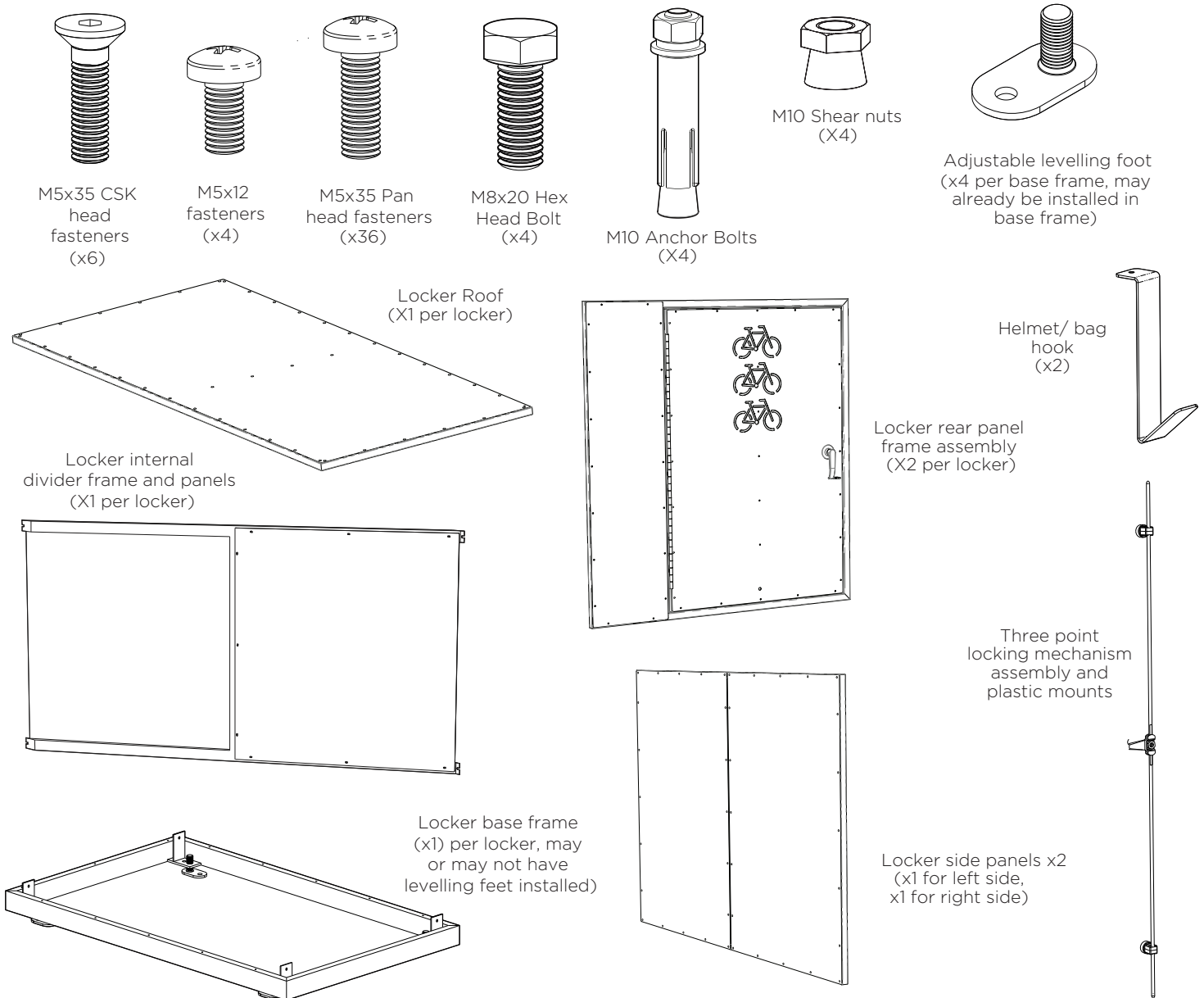
Locker Installation & Assembly Instructions

Cora Bike Rack - Double Bike Locker Light Duty (CBL2-LD)



Cora - Double Door Bike Locker - Light Duty

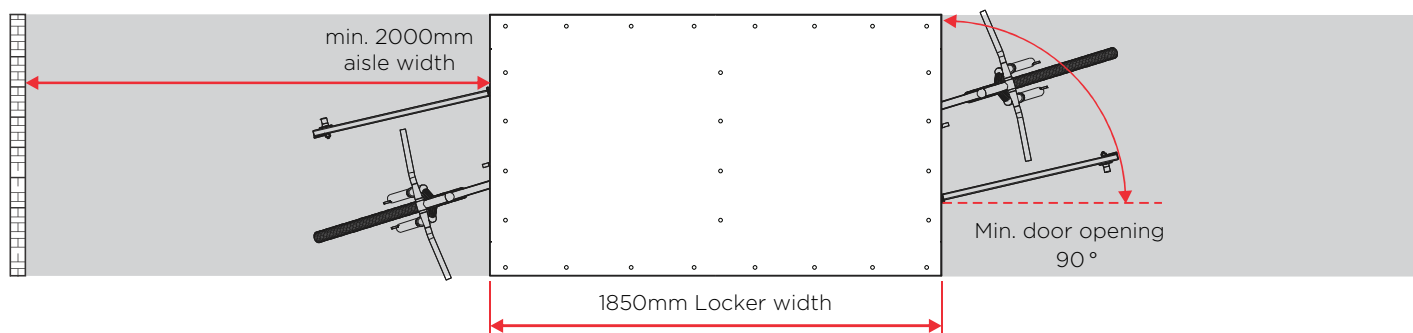
Components for Double Bike Locker used in assembly



Locker Installation & Assembly Instructions

Cora Bike Rack - Double Bike Locker Light Duty (CBL2-LD)

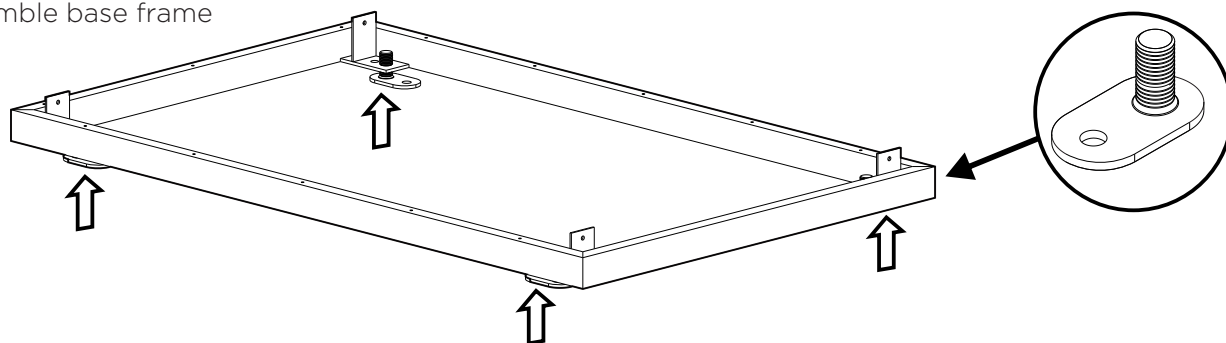
1. Access and clearance around mounted lockers



Access dimensions around lockers

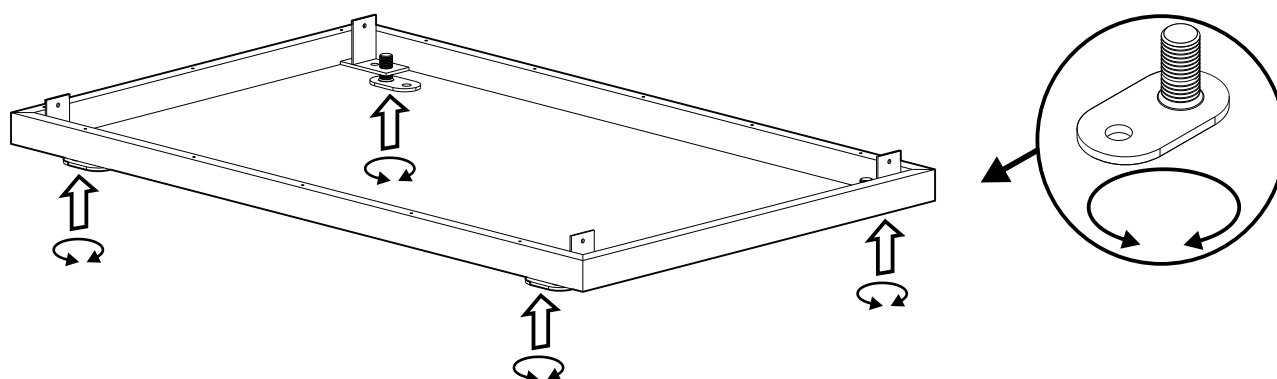
- Before mounting locker, find a suitable place that will allow for minimum spacing dimensions
- Ensure min distance of 2000mm is provided on door side of lockers to provide correct aisle space and access for bike
- Ensure minimum spacing from walls, lockers or obstructions to allow for minimum access
In multiple locker instal, lockers may be mounted side by side with no gap

2. Assemble base frame



- Base frame should have one (x1) adjustable levelling foot per corner. Base frame may come with these already installed
- If base frame does not have adjustable levelling feet installed, screw in one foot per corner of frame. Feet to be screwed in from bottom of frame

3. Level base frame on ground at intal location



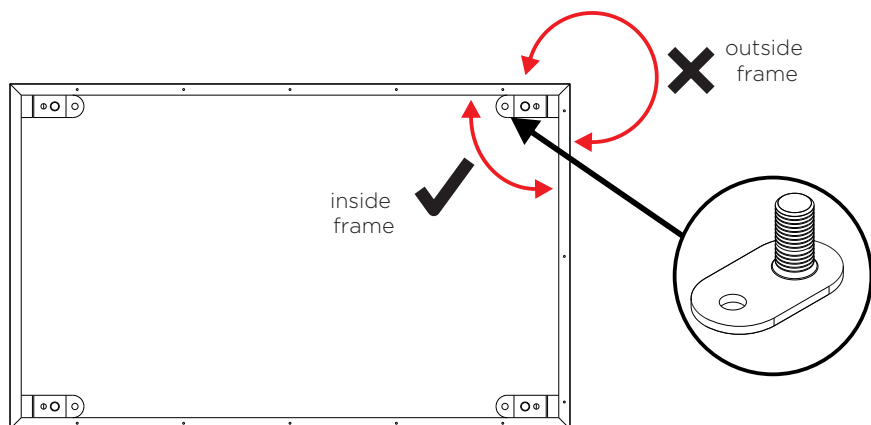
- Try to use an instal location where ground is already as flat and as unobstructed as possible (areas without bumps, dips, raised sections from roots or ground features).
- Ground type should be solid eg.: concrete, asphalt, bitumen etc.
- Level base frame by raising/ lowering corners by screwing adjustable feet in and out.
- Feet have a limited range of travel and may not accommodate all surfaces, levels or gradients
- Use spirit-level placed on top of frame, to assist in getting frame as level as possible.

NOTE: Ensure all feet contact with ground firmly after levelling, frame cannot rock or lean at any corner, or when fastened with anchor bolts, frame will be warped and not level and will effect assembly of locker.

Locker Installation & Assembly Instructions

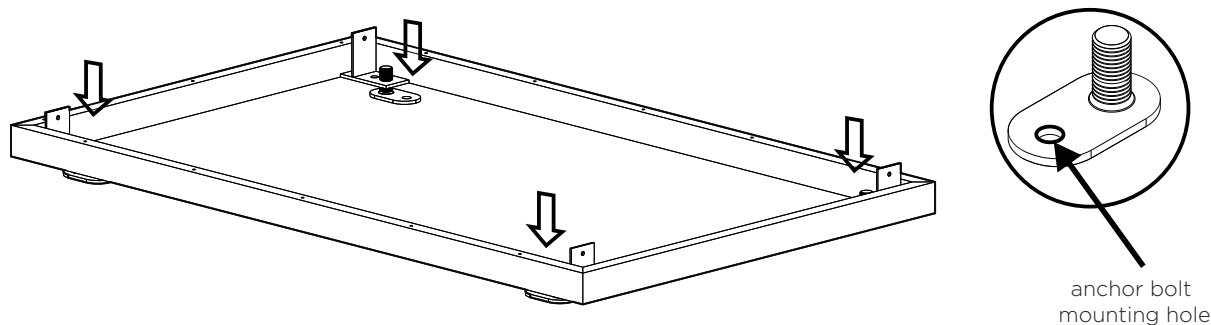
Cora Bike Rack - Double Bike Locker Light Duty (CBL2-LD)

4. Position adjustable foot inside frame before fixing to ground



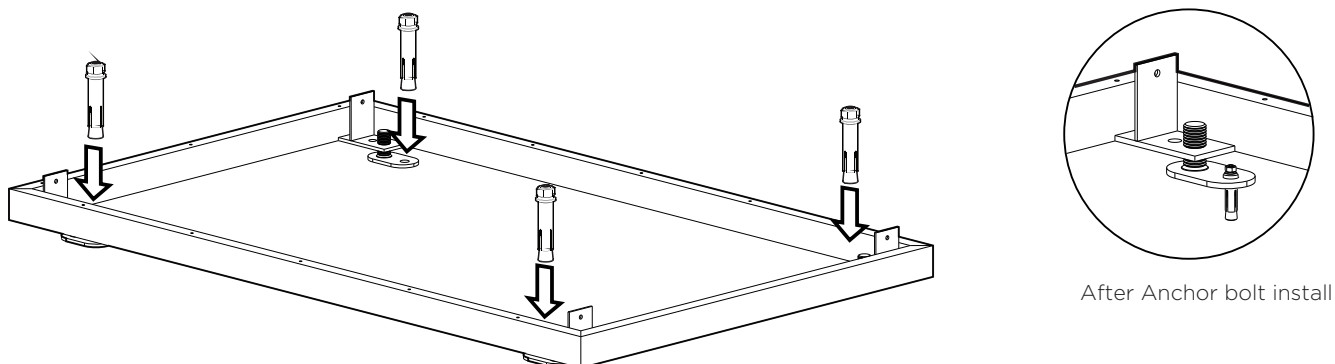
- After base frame has been levelled by adjusting corner feet, ensure foot's final position is located inside structure of base frame
 - Hole on adjustable foot, is to be used for anchor bolt fixing of frame to ground and cannot be located outside of frame (for security anchor bolts to be inside locker frame structure when installed).
-

5. Drill holes in ground for location of anchor bolts



- Option 1: Leave base frame in place and drill holes for anchor bolts directly through hole in adjustable levelling feet.
 - Option 2: Use holes in adjustable levelling feet to mark location of holes for anchor bolts. Mark holes while base frame is in correct position. Move frame away and drill holes
 - Drill or core a hole using a 12mm diameter drill bit to 75mm min. depth
-

6. Install Anchor bolts, fix base frame to ground

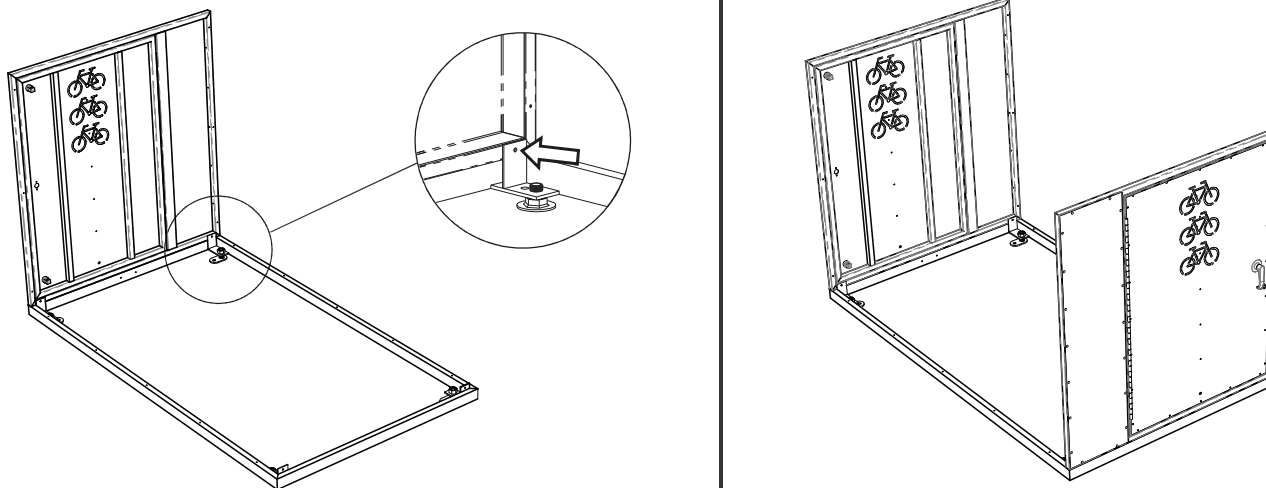


- Locate frame in position with holes in adjustable feet, over drilled holes in ground, knock anchor bolts (x4 one for each corner of frame) into ground through holes in adjustable feet.
 - Check level of frame.
 - Tighten anchor bolts with standard supplied nut
 - After anchor bolt nut is tightened fully, install supplied shear nuts (x4 one per anchor bolt) onto top of thread
 - Tighten shear nuts until head snaps off
-

Locker Installation & Assembly Instructions

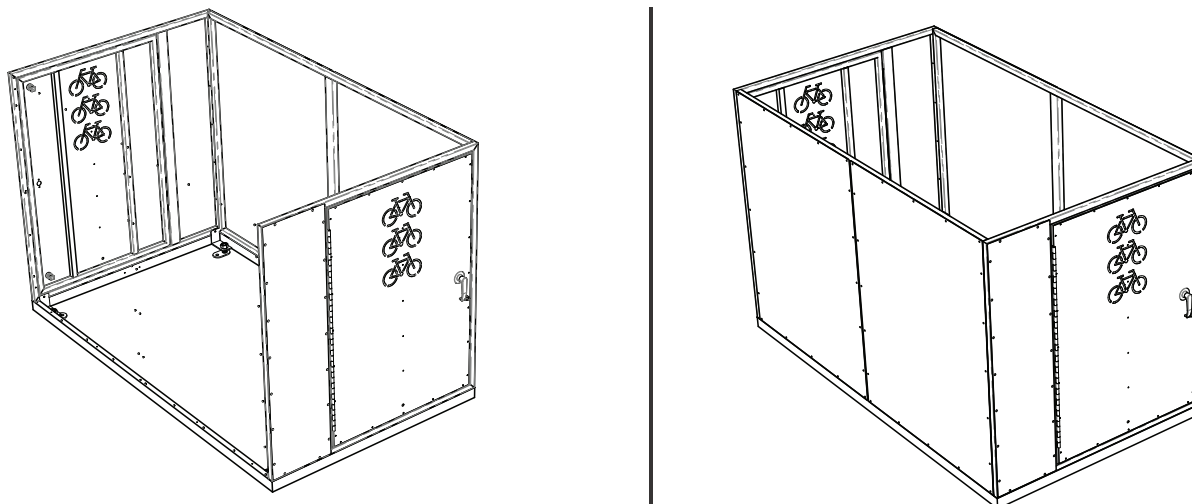
Cora Bike Rack - Double Bike Locker Light Duty (CBL2-LD)

7. Attach two (2x) door assemblies to base frame



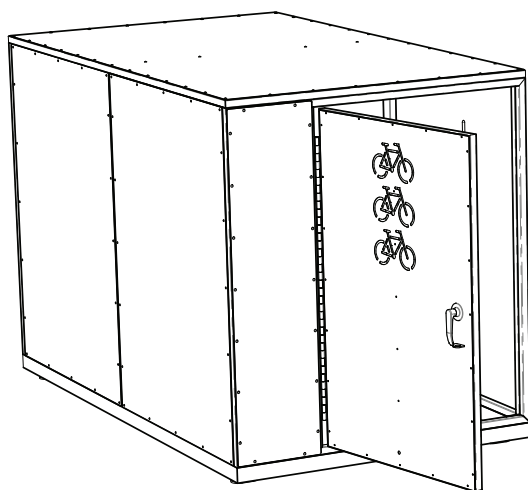
- Screw door assembly to base frame using two (x2) M5x35 Pan head screws.
 - Each door assembly is fixed to ends of base frame, using outside tabs on ends of base frame
-

8. Attach side panels to base frame and door frames



- Screw two side panels (one for each side of locker) using M5x35 Pan head screws. Each Panel uses twelve (x12) M5x35 pan head screws
 - Screw through bottom edge of side panels to base frame and via end edges of side panel to both door assembly frames,
-

9. Attach roof to locker

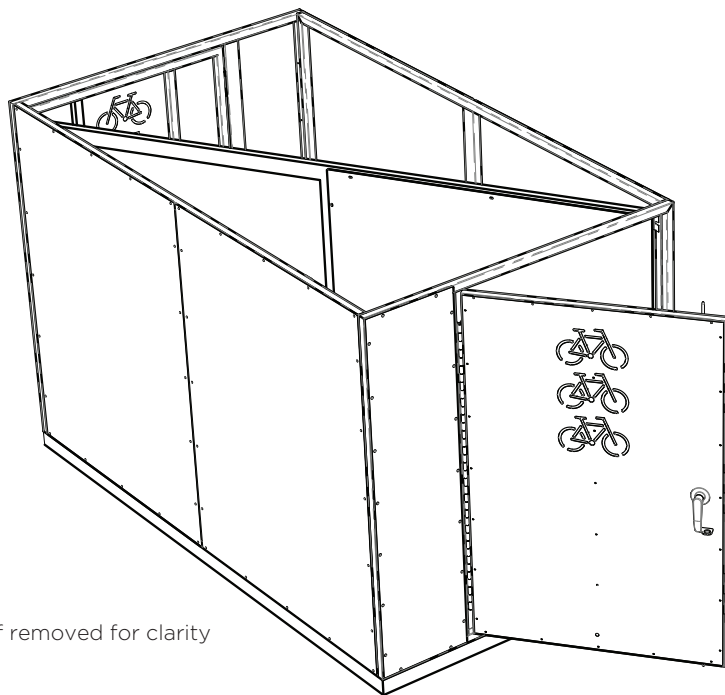


- Roof is fixed via screwing from inside of locker, through frames of both side panels into roof;
Side panles to roof - four (x4) M5x35 pan head screws per side
Door assembly to roof - three (x3) M5x35 CSK head screws per door

Locker Installation & Assembly Instructions

Cora Bike Rack - Double Bike Locker Light Duty (CBL2-LD)

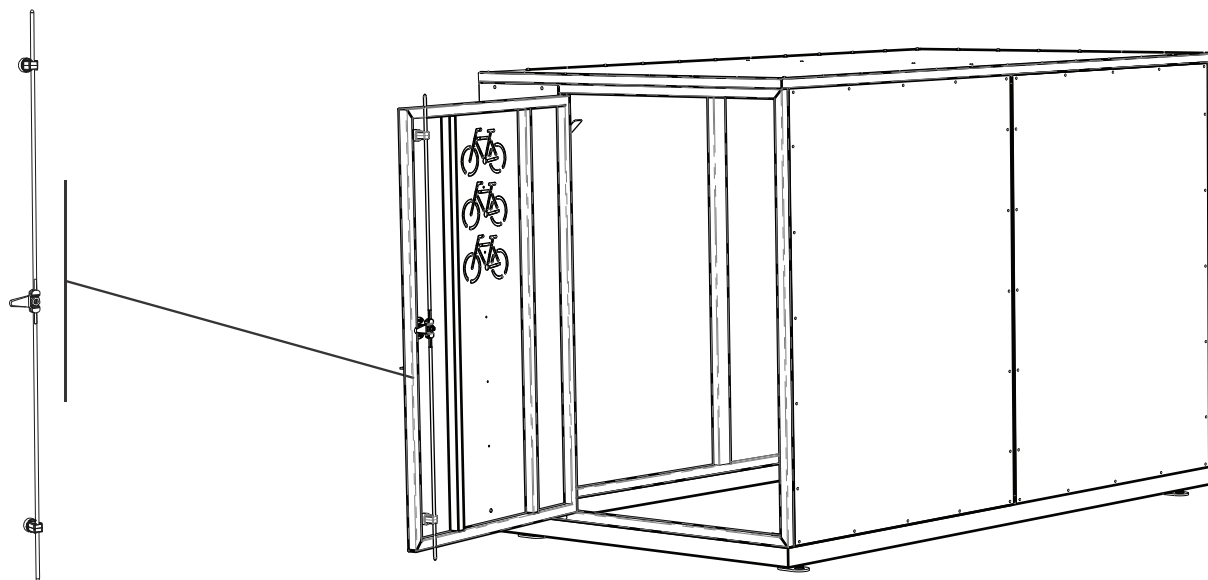
10. Install internal bike divider frame and panels



* Roof removed for clarity

- Locker bike divider frame is fixed on angle to inside of locker using a total of four (x4) M8 Hex head bolts.
- Divider frame is fixed using two screws to each end of frame, fixing top and bottom of divider frame to door assembly frame
- Two flat sheet panels are fixed to divider frame using M5x12 Pan head screws, done either before or after frame is installed inside locker

11. Install 3 point locking mechanism

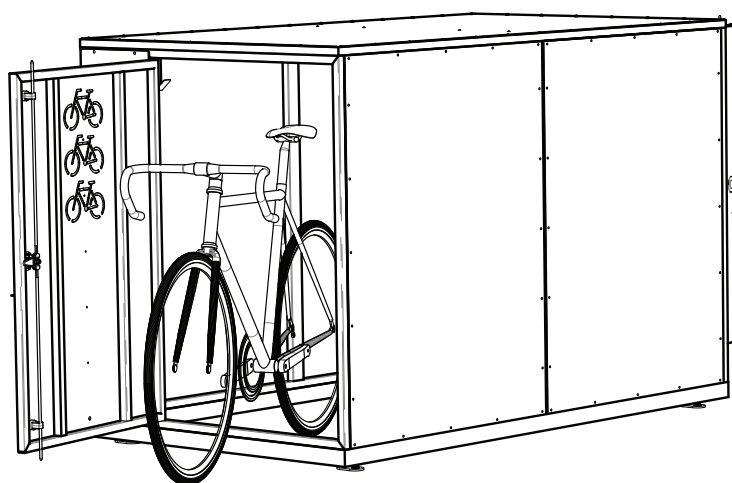
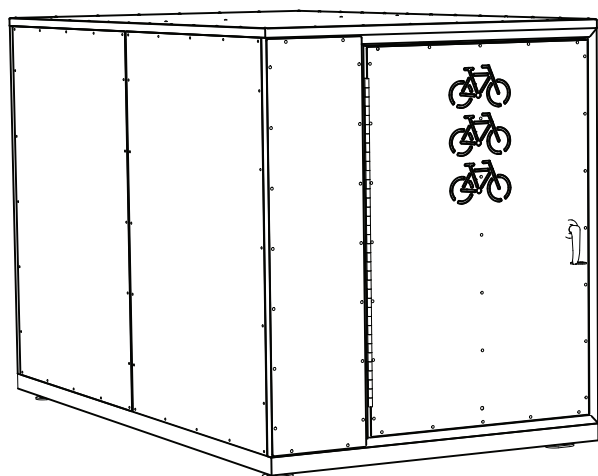
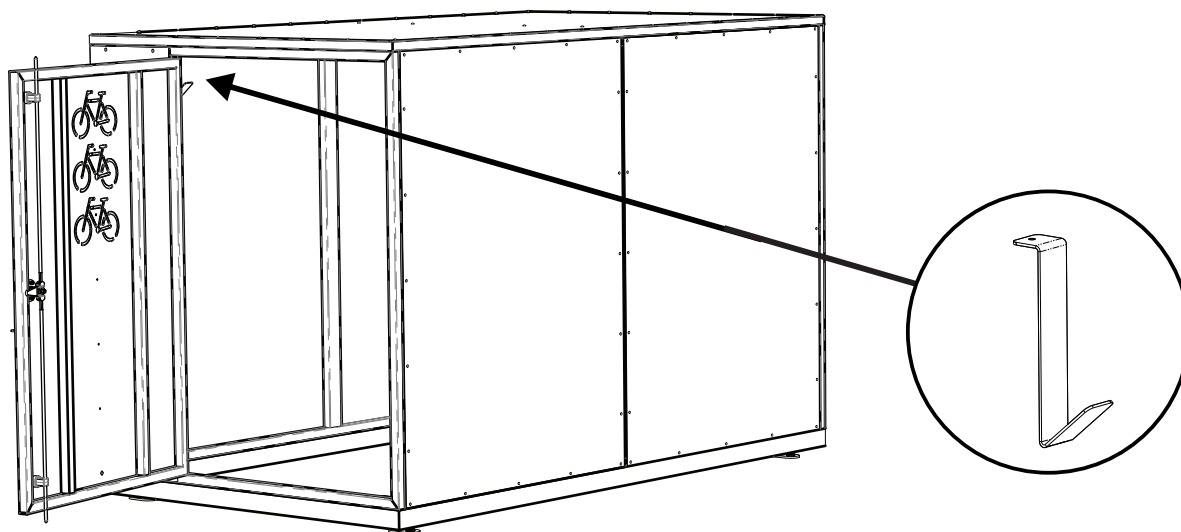


- One 3-point locking mechanism per door
- Mechanism is installed over threaded shaft of handle and secured by tightening supplied nut
- Position of main lock paw should be tuned so not to clash with door, but close door tightly.
- Two (x2) rod guides should also be screwed to inside face of each door
- Ensure rod guides are positioned to allow lock rods to travel freely without hitting inside or edges of door

Locker Installation & Assembly Instructions

Cora Bike Rack - Double Bike Locker Light Duty (CBL2-LD)

12. Attach helmet/ bag hook. One at each end (if supplied)



Installation of the Cora Double door locker is complete



CORA
BIKERACK

PH 1800 249 878

sales@cora.com.au

www.cora.com.au