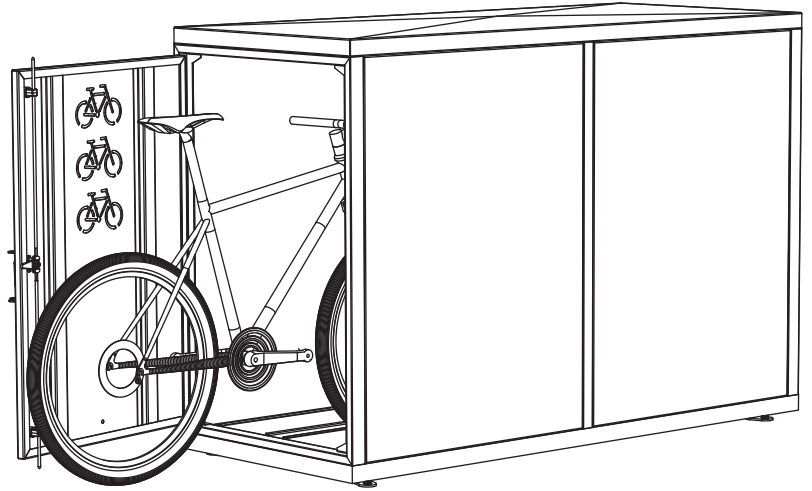
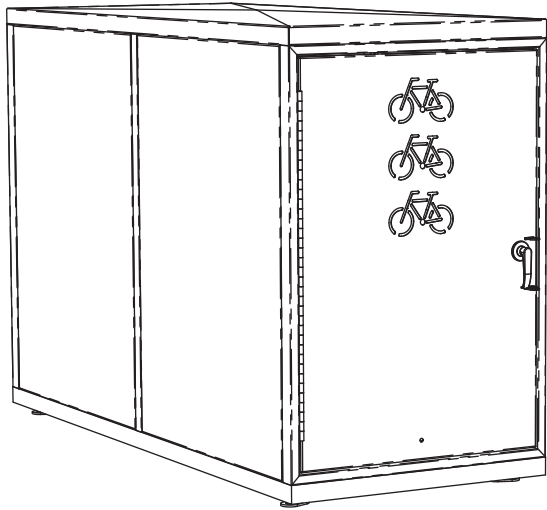


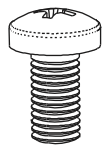
Locker Installation & Assembly Instructions

Cora Bike Rack - Single Bike Locker (CBL1-HD)

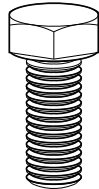


Cora - Single Bike Locker - Heavy Duty

Components for Single Bike Locker used in assembly



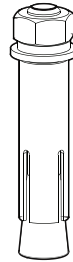
M5 Phillips pan head fasteners (used for all fastening unless noted in instructions)



Hex Head Bolts (x4)



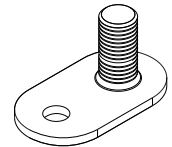
Hex Head Nut (x2)



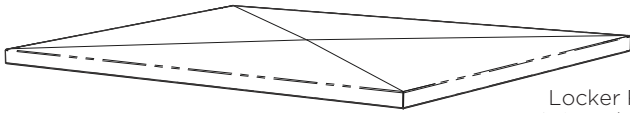
M10 Anchor Bolts (x4)



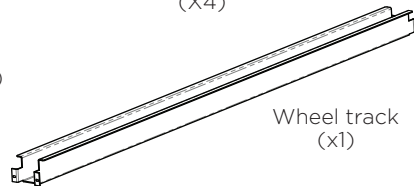
M10 Shear nuts (x4)



Adjustable levelling foot (x4 per base frame, may already be installed in base frame)



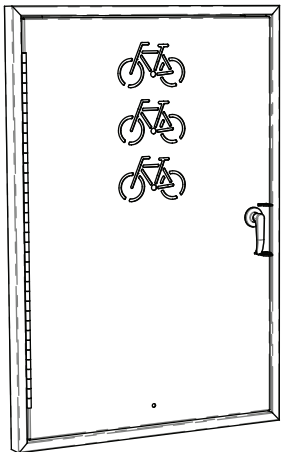
Locker Roof (X1 per locker)



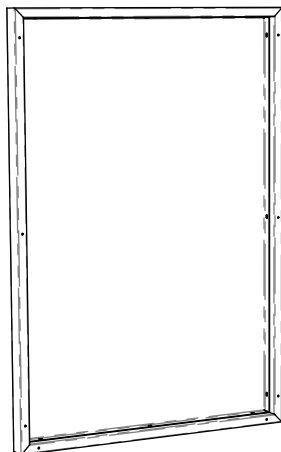
Wheel track (x1)



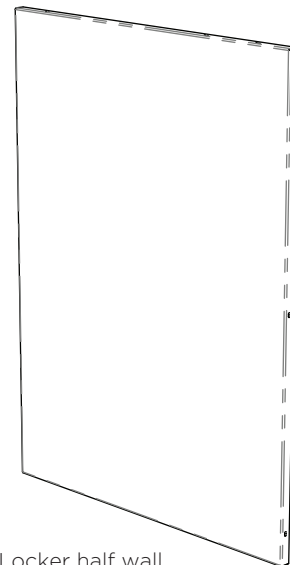
Helmet/ bag hook (x1) may or may not be included



Locker door frame assembly (x1)



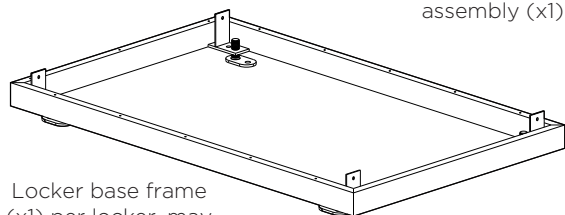
Locker rear wall assembly (x1)



Locker half wall assembly (x4)



Halfwall post x2 (x1 for left side, x1 for right side)



Locker base frame (x1) per locker, may or may not have levelling feet installed)

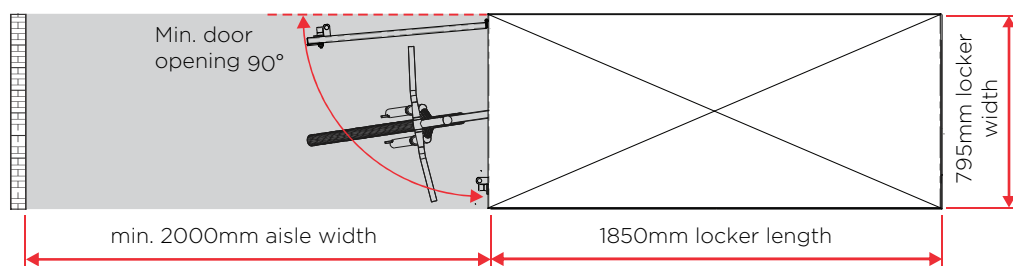
Three point locking mechanism assembly and plastic mounts



Locker Installation & Assembly Instructions

Cora Bike Rack - Single Bike Locker (CBL1-HD)

1. Access and clearance around mounted lockers

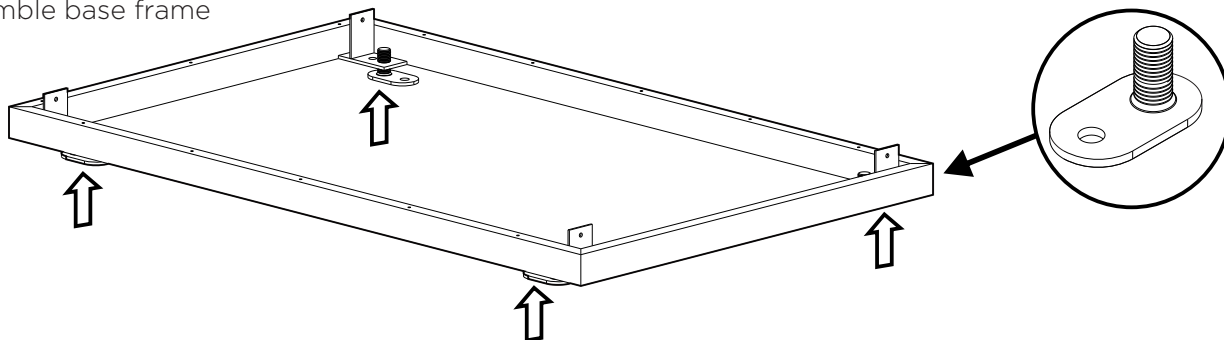


*See product specification sheets for alternate mounting options. Can be found at cora.com.au

Access dimensions around lockers

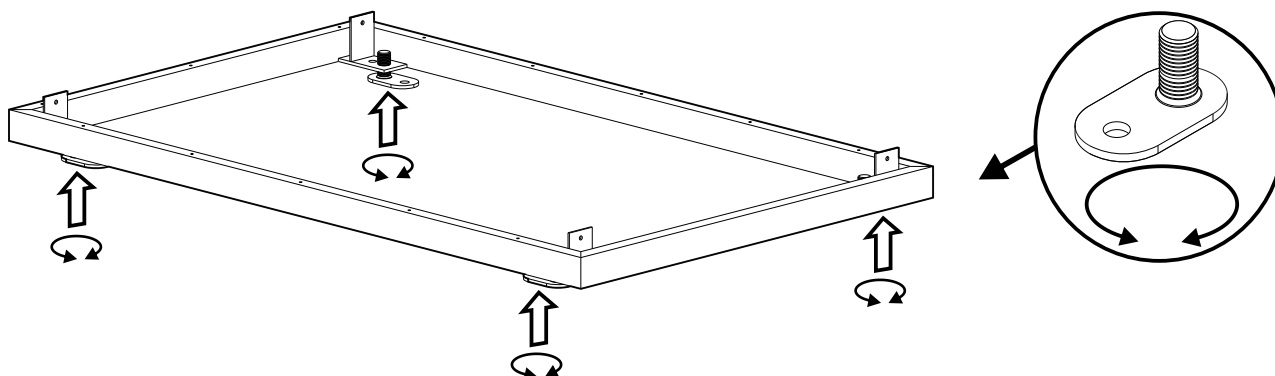
- Before mounting locker, find a suitable place that will allow for minimum spacing dimensions
- Ensure min distance of 2000mm is provided on door side of lockers to provide correct aisle space and access for bike
- Ensure minimum spacing from walls, lockers or obstructions to allow for minimum access
In multiple locker instal, lockers may be mounted side by side with no gap

2. Assemble base frame



- Base frame should have one (x1) adjustable levelling foot per corner. Base frame may come with these already installed
- If base frame does not have adjustable levelling feet installed, screw in one foot per corner of frame. Feet to be screwed in from bottom of frame

3. Level base frame on ground at intal location



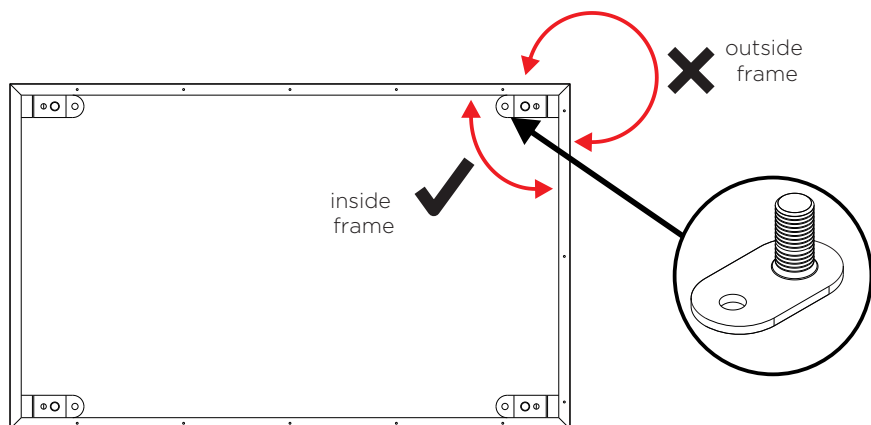
- Try to use an instal location where ground is already as flat and as unobstructed as possible (areas without bumps, dips, raised sections from roots or ground features).
- Ground type should be solid eg.: concrete, asphalt, bitumen etc.
- Level base frame by raising/ lowering corners by screwing adjustable feet in and out.
- Feet have a limited range of travel and may not accommodate all surfaces, levels or gradients
- Use spirit-level placed on top of frame, to assist in getting frame as level as possible.

NOTE: Ensure all feet contact with ground firmly after levelling, frame cannot rock or lean at any corner, or when fastened with anchor bolts, frame will be warped and not level and will effect assembly of locker.

Locker Installation & Assembly Instructions

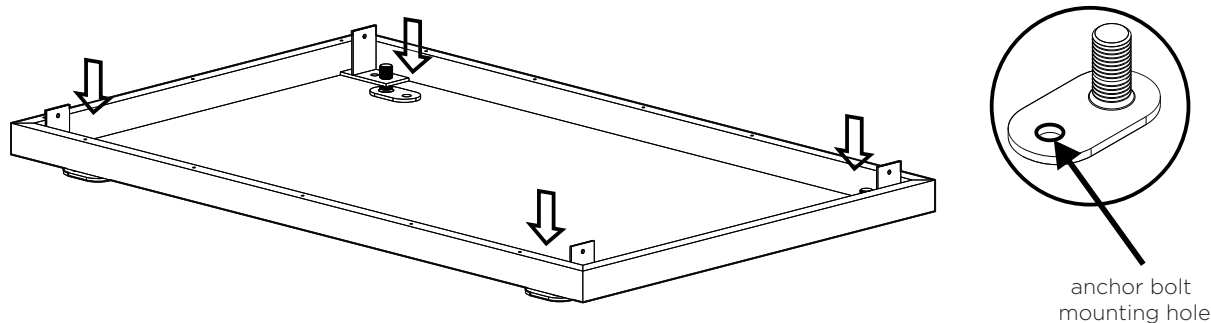
Cora Bike Rack - Single Bike Locker (CBL1-HD)

4. Position adjustable foot inside frame before fixing to ground



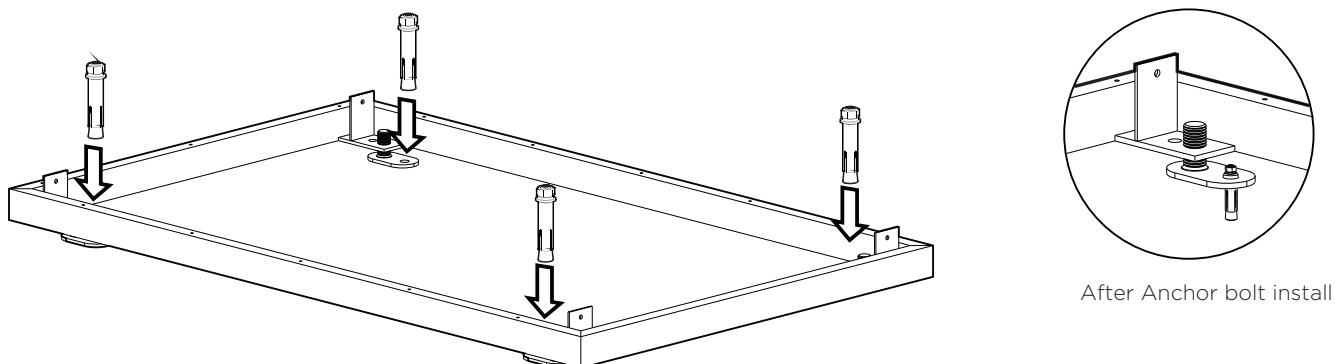
- After base frame has been levelled by adjusting corner feet, ensure foot's final position is located inside structure of base frame
 - Hole on adjustable foot, is to be used for anchor bolt fixing of frame to ground and cannot be located outside of frame (for security anchor bolts to be inside locker frame structure when installed).
-

5. Drill holes in ground for location of anchor bolts



- Option 1: Leave base frame in place and drill holes for anchor bolts directly through hole in adjustable levelling feet.
 - Option 2: Use holes in adjustable levelling feet to mark location of holes for anchor bolts. Mark holes while base frame is in correct position. Move frame away and drill holes
 - Drill or core a hole using a 12mm diameter drill bit to 75mm min. depth
-

6. Install Anchor bolts, fix base frame to ground

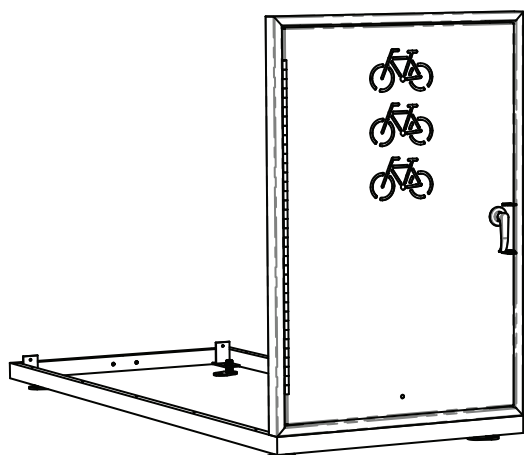


- Locate frame in position with holes in adjustable feet, over drilled holes in ground, knock anchor bolts (x4 one for each corner of frame) into ground through holes in adjustable feet.
 - Check level of frame.
 - Tighten anchor bolts with standard supplied nut
 - After anchor bolt nut is tightened fully, install supplied shear nuts (x4 one per anchor bolt) onto top of thread
 - Tighten shear nuts until head snaps off
-

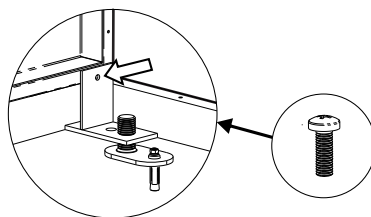
Locker Installation & Assembly Instructions

Cora Bike Rack - Single Bike Locker (CBL1-HD)

7. Attach door assembly to base frame

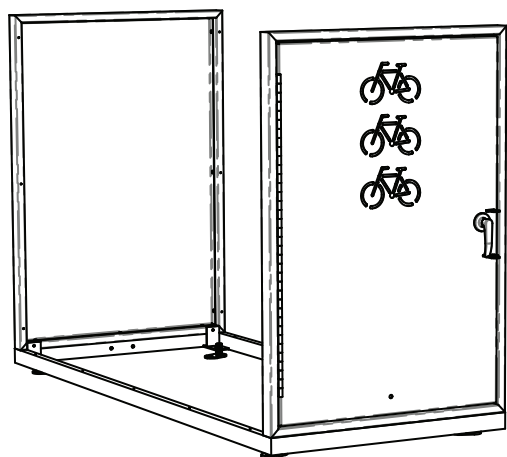


- Screw door assembly to base frame using two (x2)M5 pan head screws.
- Rest door assembly on top of base frame (at end that the door assembly will be located)
- Door assembly is fixed to one end of base frame, by using the two screws at bottom of panel frame, to secure panel assembly to outside of tabs at end of base frame
- Door assembly should be a supplied pre-assembled and include door frame, door, hinge, handle and exterior locking parts

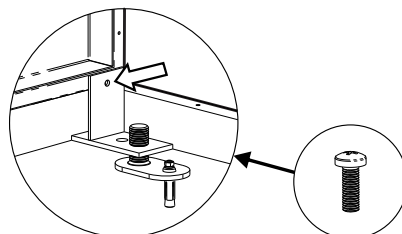


Screw point location to fix door assembly to base frame

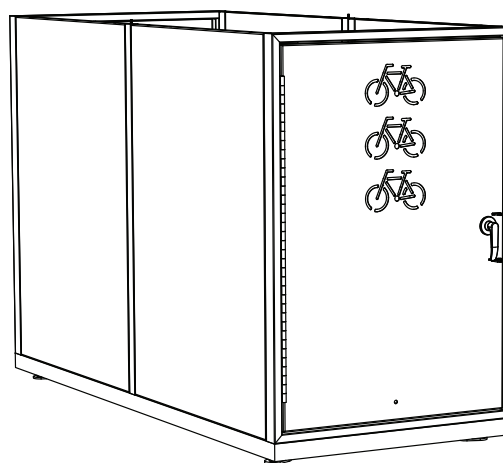
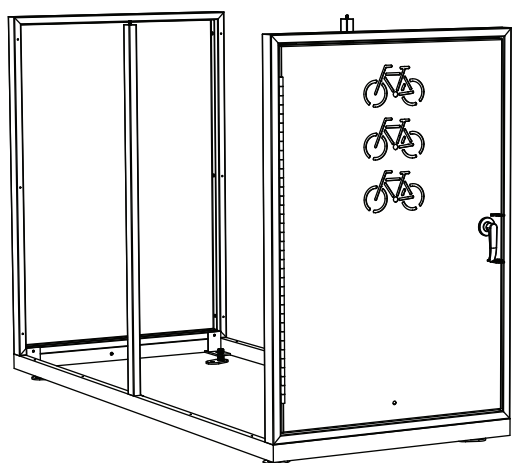
8. Attach rear wall assembly to base frame



- Screw rear wall assembly to base frame using two (x2)M5 pan head screws.
- Rest panel assembly on top of base frame (at end that the rear panel will be located)
- Rear panel assembly is fixed to one end of base frame, by using the two screws at bottom of panel frame, to secure panel assembly to outside of tabs at end of base frame
- Panel frame assembly should be a supplied pre-assembled and include rear panel frame, rear panel and wheel hook mount



9. Attach halfwall posts and side panels to base frame and door frames

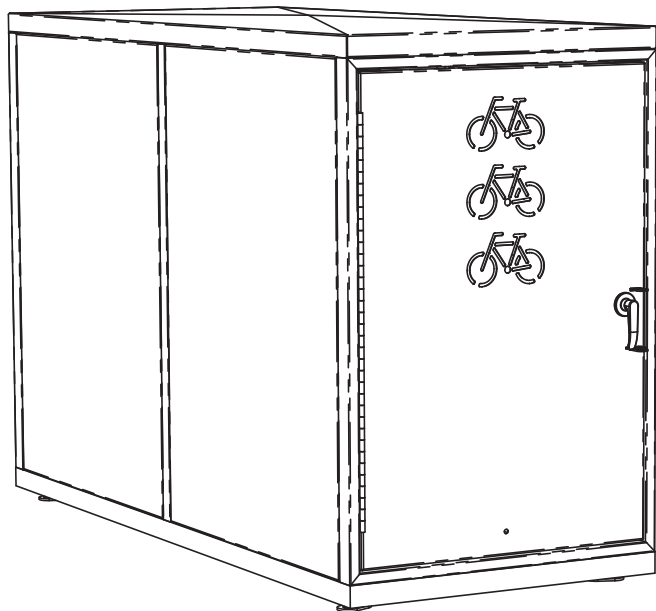


- Screw one post to middle of each side of the base. (using two Hex head bolts per side)
Posts are mounted resting on top of the base frame.
- Screw x4 side panels (two for each side of locker). Side panels will attach to base frame, end frames and posts using M5 pan head screws.

Locker Installation & Assembly Instructions

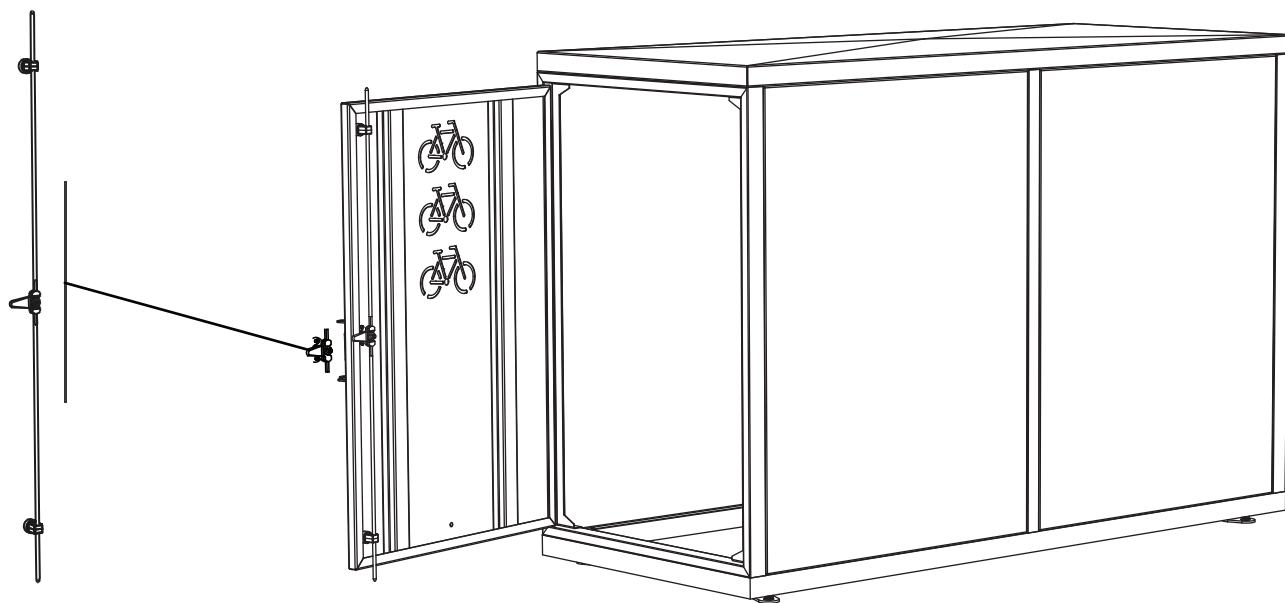
Cora Bike Rack - Single Bike Locker (CBL1-HD)

10. Attach roof to locker



- Roof is fixed via screwing from inside of locker, through frames of both side panels, door panels and halfwall posts into roof;
 - Side panels to roof - M5 pan head screws
 - Door assembly to roof - M5 CSK head screws
 - Halfwall posts to roof - Hex head nuts

11. Install 3 point locking mechanism

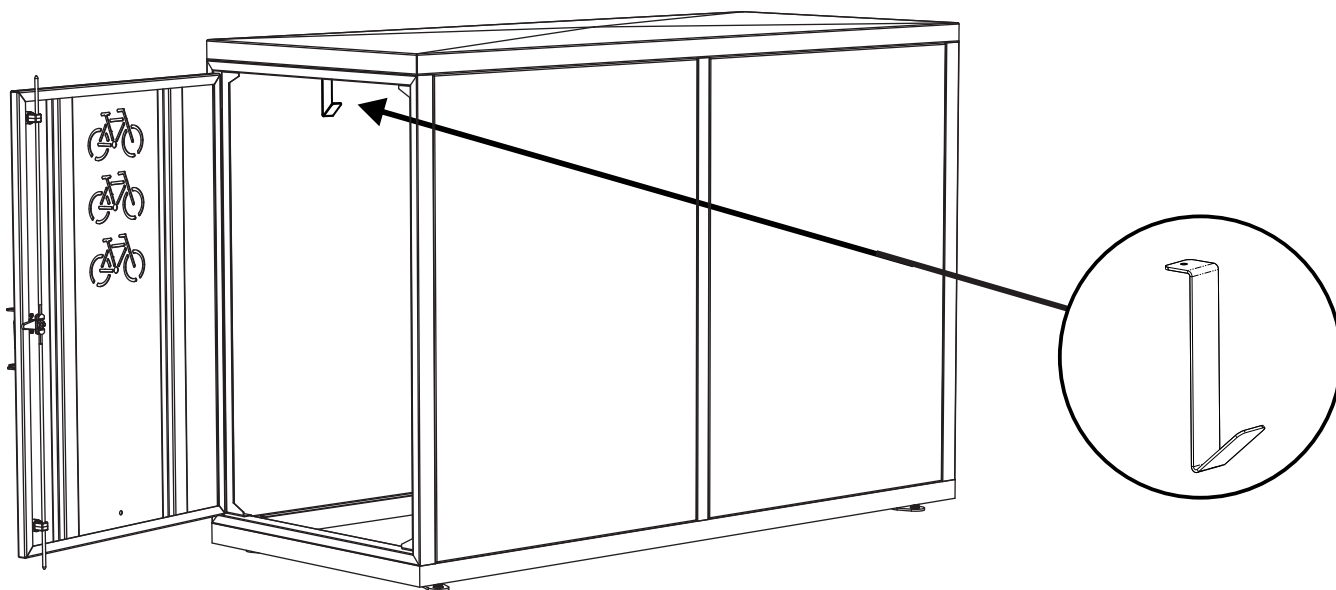


- Install 3-point locking mechanism to rear of door
- Mechanism is installed over threaded shaft of handle and secured by tightening supplied nut
- Position of main lock paw should be tuned so not to clash with door, but close door tightly.
- Two (x2) rod guides should also be screwed to inside face of each door
- Ensure rod guides are positioned to allow lock rods to travel freely without hitting inside or edges of door

Locker Installation & Assembly Instructions

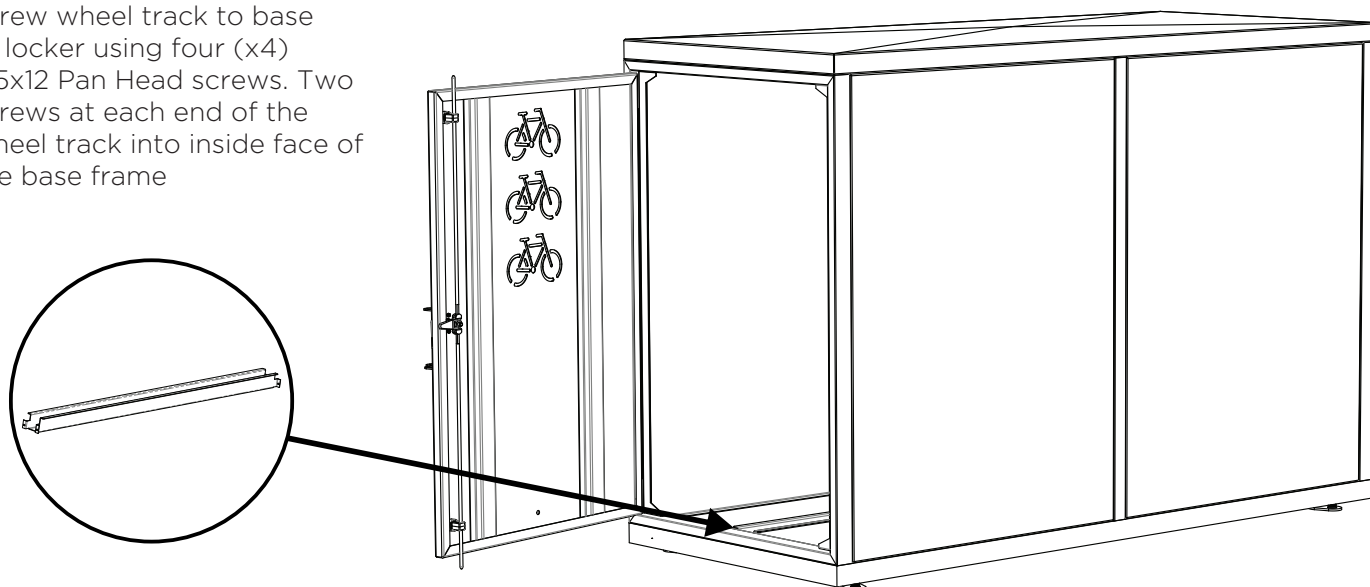
Cora Bike Rack - Single Bike Locker (CBL1-HD)

12. Attach helmet/ bag hook (if supplied)



13. Install wheel track

- Screw wheel track to base of locker using four (x4) M5x12 Pan Head screws. Two screws at each end of the wheel track into inside face of the base frame



Installation of the Cora Single door locker is complete



CORA
BIKERACK

PH 1800 249 878

sales@cora.com.au

www.cora.com.au