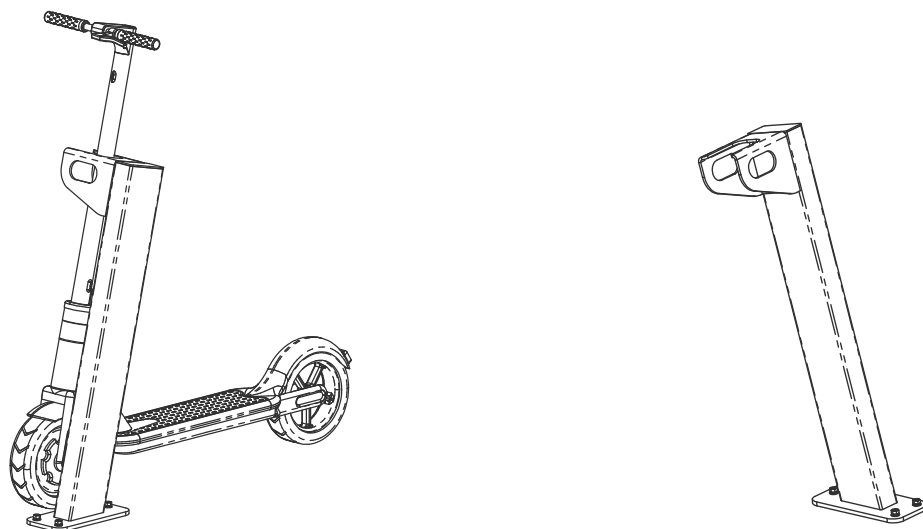


# Bike Rack Installation Instructions

## Cora Bike Rack - Adult Scooter Rack Series (ASR)

---

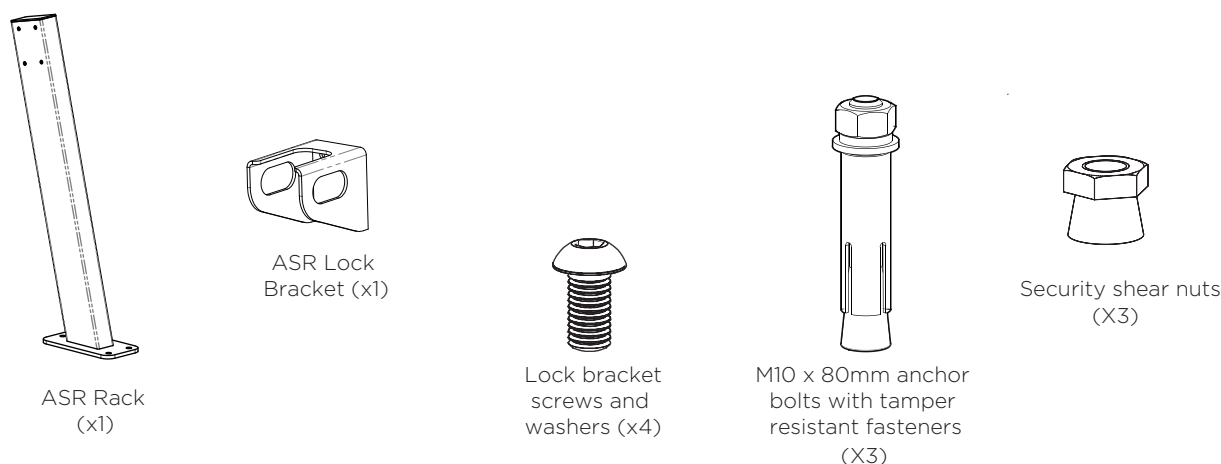
This instruction sheet is to be used for ASR Series racks.



Cora - Bike Rack ASR Series (All models shown)

---

Components for ASR Rack used in assembly



### 1. Site selection

When selecting a site for your new scooter rack, the most important advice is;

**Do not try to hide it, as it will not be used!**

Suitable locations include;

- Adjacent to entrance doors and in line of sight of a window
- Near high pedestrian traffic
- A flat location at the same surface level which cyclists and scooter riders use for access
- Covered areas

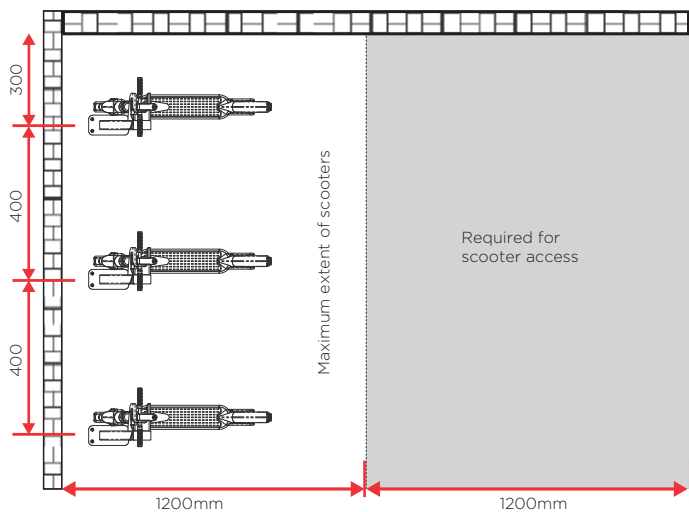
Other things to remember;

- Where a rack is being installed at an existing location, the rack should be placed where bicycles and scooters are currently parked
- When using a garage location, it is recommended to use a parking bay that is nearest to an entrance door.

# Bike Rack Installation Instructions

## Cora Bike Rack - Adult Scooter Rack Series (ASR)

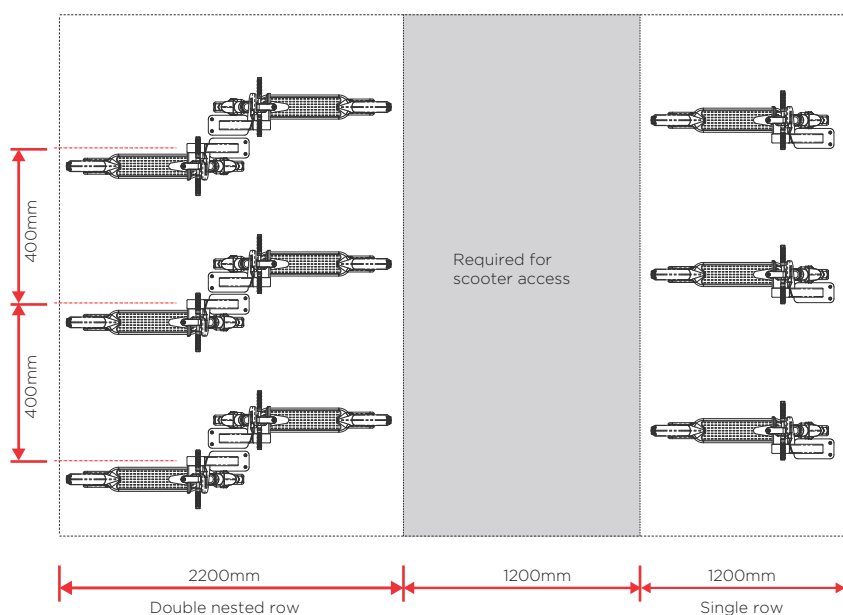
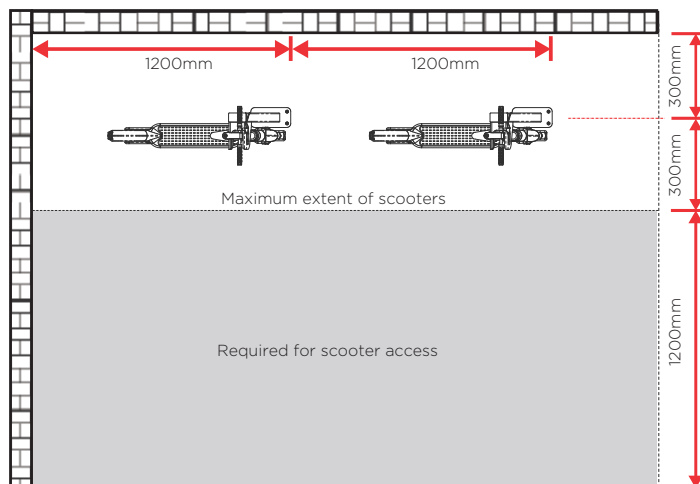
### 2. Minimum access and clearance dimensions



#### Access dimensions around scooter racks

- Before mounting rack, find a suitable place that will allow for minimum spacing dimensions
- Ensure minimum spacing from walls, other racks or obstructions to allow for minimum access
- In a multiple rack install, racks may be mounted in an in-line cluster, parallel cluster, or angle cluster.

\*See product specification sheets for alternate mounting options. Can be found at [cora.com.au](http://cora.com.au)

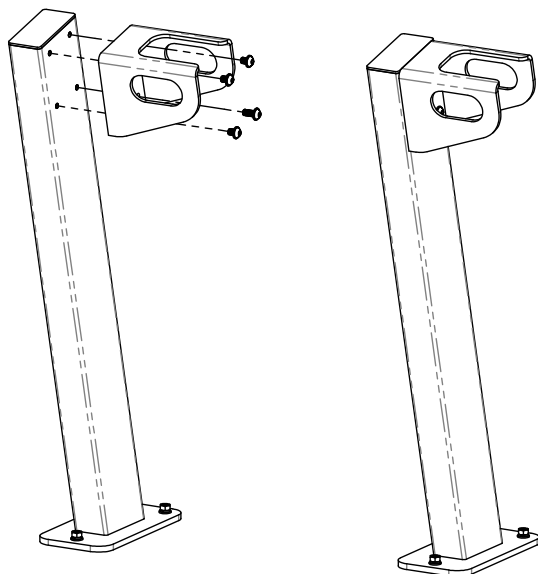


# Bike Rack Installation Instructions

## Cora Bike Rack - Adult Scooter Rack Series (ASR)

---

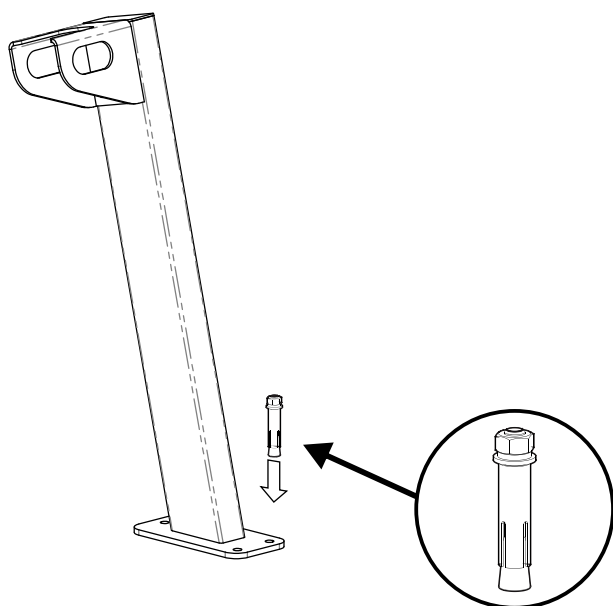
### 3. Adding the scooter lock bracket to the post



- Lock bracket needs to be fixed to main post. This can be done either before or after post is fixed to ground using anchor bolts (we suggest prior to fixing post to ground may be easier)
- Fix the lock bracket directly to post using lock bracket screws supplied (x4).
- Ensure a washer is used under the head of each fastener.

---

### 4. ASR series fixings - concrete surfaces



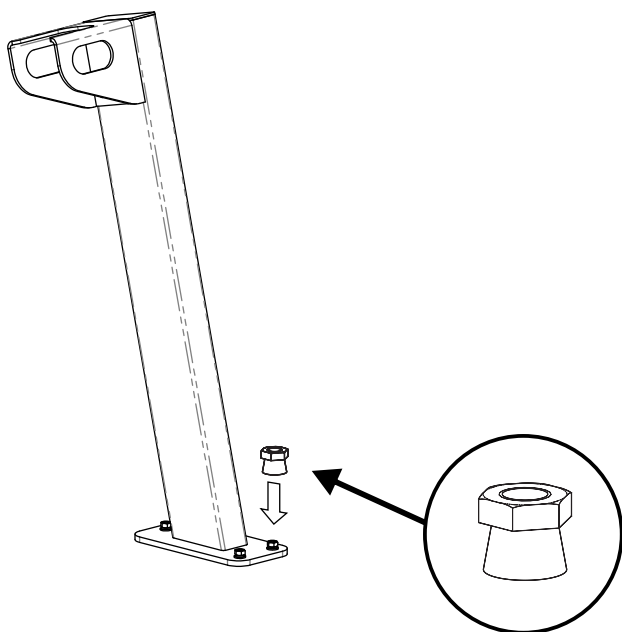
- Use the anchorbolts included
- Place rack in the desired location, ensuring correct clearance on all sides
- Mark all 3 fixing points with a suitable marker
- Remove rack to side - do not drill through base as this could damage the masonry bit.
- Carefully drill holes using a 8mm masonry drill bit to a depth of 75mm, maintaining correct positioning
- **Do not drill over plumbing and/or electrical-conduits, or through waterproof membrane that may be located just below surface level**
- Repeat using a 10mm masonry bit, again to a minimum depth of 75mm. Clear holes of dust and debris.
- Place the ASR scooter rack over holes and check correct alignment
- Use the supplied anchor bolts (x3). Loosen the hex nuts to the end of the anchor bolts.
- Place the anchor bolts through the base plate and hammer into the drilled holes until the washers are flush with the base plate of the rail. Tighten hex nuts firmly.

# Bike Rack Installation Instructions

## Cora Bike Rack - Adult Scooter Rack Series (ASR)

---

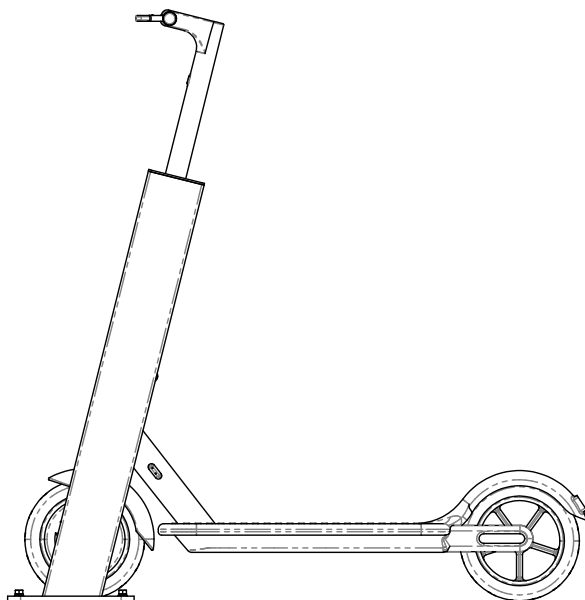
### 5. Adding the security nuts



- To use the included security shear head nuts, carefully remove the tightened standard nuts leaving the flat washers in place
- Screw on the new security nuts with the wide round base at the bottom
- Tighten the security nut firmly, and keep tightening until the top half of the nut snaps off
- Remove the top half of the security nut and discard. The lower half remains in place to provide an effective tamper resistant fixing

---

### 6. Installation complete



Installation of the Cora ASR rack is now complete.



**CORA**  
BIKERACK

PH 1800 249 878

sales@cora.com.au

www.cora.com.au