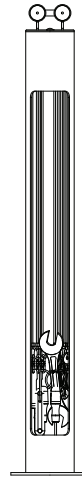
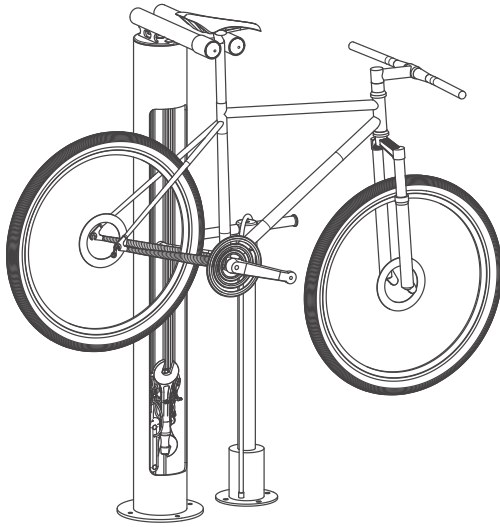


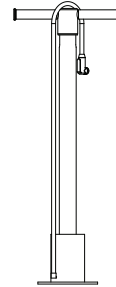
Bike Rack Installation Instructions

Cora Bike Rack - Bike Maintenance Stand & Pump (BMSP) - Bike Pump Maintenance

This instruction sheet is to be used for monthly or annual maintenance for the BMSP tyre pump.

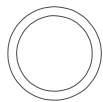


Bike Maintenance Stand with Tools (BMS)

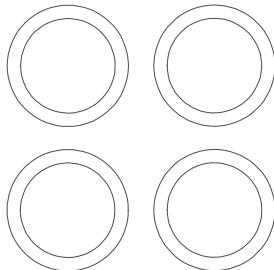


Bike Pump (BP)

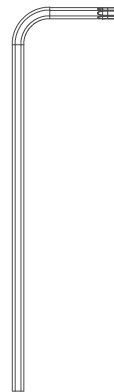
Components included in bike pump maintenance/ spare part kit, supplied with pump for monthly and annual maintenance



SG1 Rack (x1)



SG1 Rack (x1)



SG1 Rack (x1)

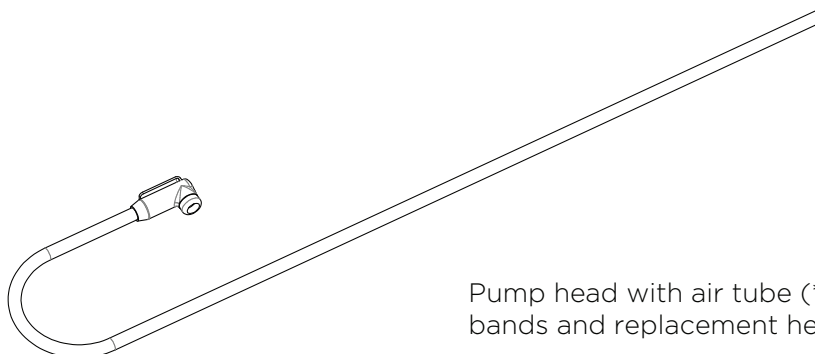


SG1 Rack (x1)



SG1 Rack (x1)

Components that can be ordered if replacement part is needed



Pump head with air tube (*may include 2x steel hose bands and replacement heat shrink tube)

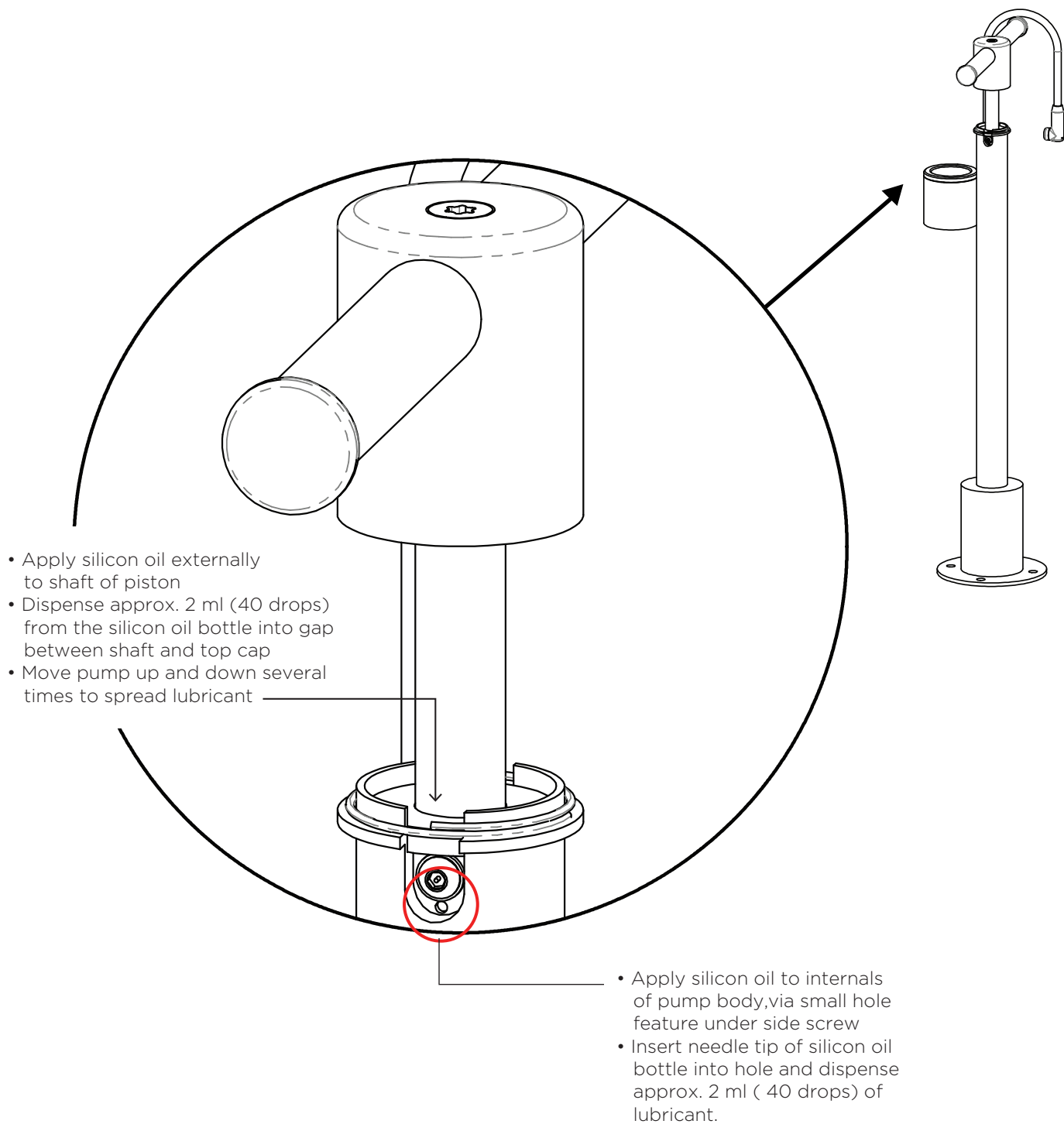
Bike Rack Installation Instructions

Cora Bike Rack - Bike Maintenance Stand & Pump (BMSP) - Bike Pump Maintenance

This instruction sheet is to be used for **monthly** or **annual** maintenance for the BMSP tyre pump.

Monthly maintenance of tyre pump

- Lubricate shaft of pump with silicon oil from lubricant bottle



Bike Rack Installation Instructions

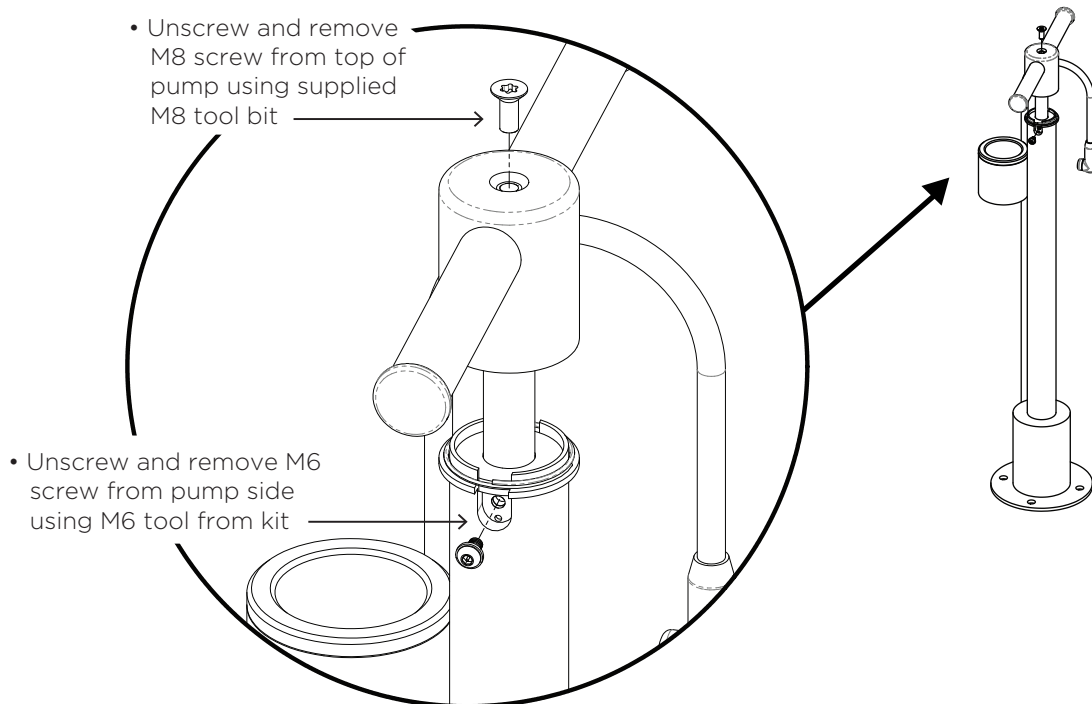
Cora Bike Rack - Bike Maintenance Stand & Pump (BMSP) - Bike Pump Maintenance

This instruction sheet is to be used for **monthly** or **annual** maintenance for the BMSP tyre pump.

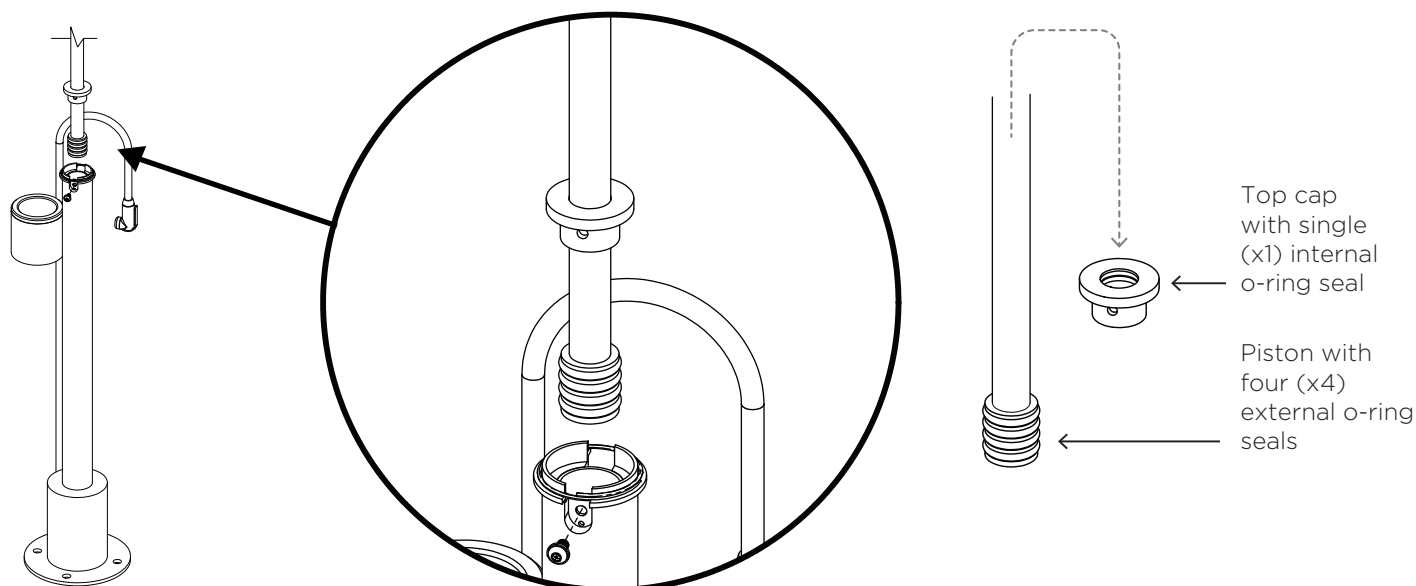
Annual maintenance of tyre pump

- Remove pump shaft piston and top cap from pump body
- Replace all internal seals, lubricate then re-assemble shaft and top cap into pump body

1. Disassemble pump body



2. Remove piston and top cap from pump body, then remove top cap from piston

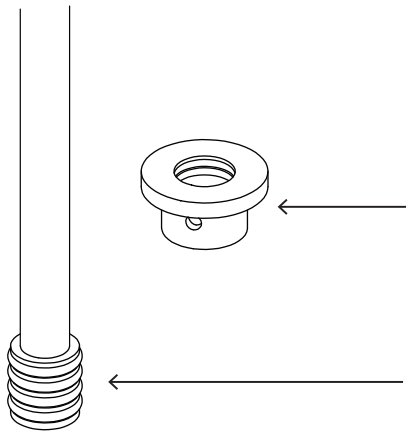


Bike Rack Installation Instructions

Cora Bike Rack - Bike Maintenance Stand & Pump (BMSP) - Bike Pump Maintenance

This instruction sheet is to be used for **monthly** or **annual** maintenance for the BMSP tyre pump.

3. Replace seals and lubricate before re-assembly of pump



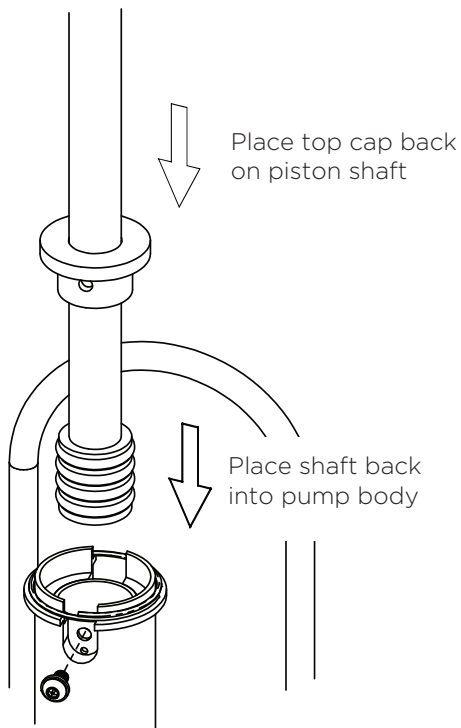
Top cap with single (x1) internal o-ring seal

- Remove old seal from inside of top cap and clean
- Apply silicon oil to internal surfaces
- Install new o-ring seal using supplied single (x1) diameter 29mm o-ring
- Apply more silicon oil to o-ring after assembly

Piston with four (x4) external o-ring seals

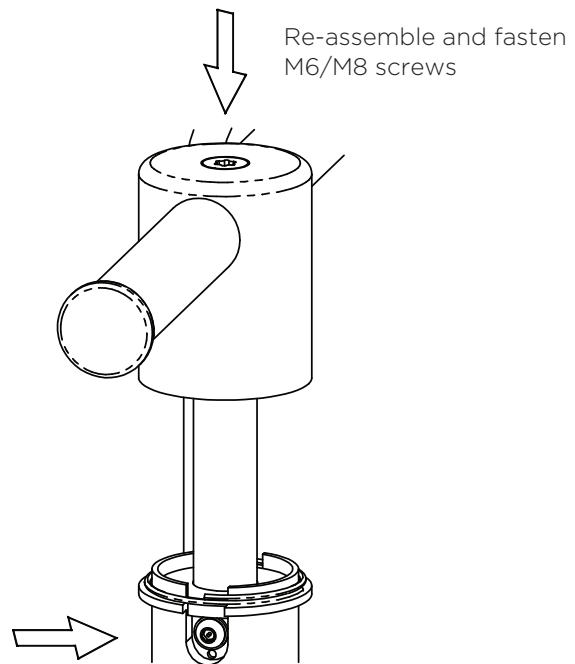
- Remove old seals and clean piston end
- Apply silicon oil to surfaces
- Install new o-ring seals using supplied four(x4) diameter 35mm o-rings
- Apply more silicon oil to o-rings after assembly

4. Re-assemble pump



Place top cap back on piston shaft

Place shaft back into pump body



Re-assemble and fasten M6/M8 screws

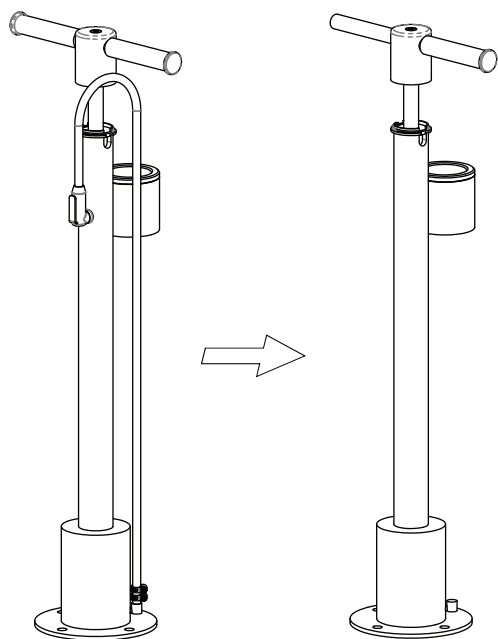
Bike Rack Installation Instructions

Cora Bike Rack - Bike Maintenance Stand & Pump (BMSP) - Bike Pump Maintenance

This instruction sheet is to be used for **monthly** or **annual** maintenance for the BMSP tyre pump.

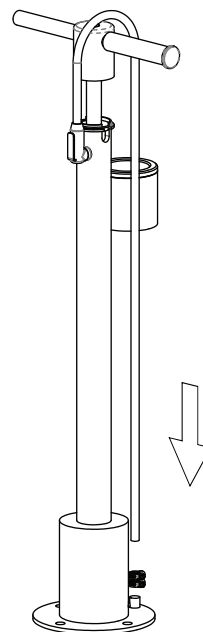
Repair/ Replacement of tyre pump air hose and pump head

- If pump head or air hose needs replacing, the whole assembly will be replaced as it is a single unserviceable unit
- A replacement pump head with air hose kit should be ordered from Cora (*may be supplied with or include 2x steel hose bands and replacement heat shrink tube)



1. Remove old airtube

- Remove external black heat shrink from bottom of pump where airtube joins pump to expose hose clamps/ bands
- Loosen hose clamps/ bands and remove airtube hose from pump body.



2. Assemble new air tube/ pump head

- Push airtube onto feature at base of pump body.
- Tighten hose clamp/ bands to clamp over airtube end and fix hose to pump
- To replace the heat shrink to cover hose bands after assembly, then heat-shrink sleeve should be over hose before re-assembly to pump. Once hose has been assembled and hose bands tightened, pull heat-shrink sleeve over hose bands and use a heat gun to shrink tight.

