



ENGINEERED
FOR
DURABLE
PERFORMANCE

The Ecological / Economical Bicycle Parking Solution

CycleSafe EcoPark Bicycle Lockers are free-standing, secure storage for bicycles and gear in a weather resistant, fire-retardant, vandal resistant structure with a space efficient footprint. EcoPark lockers accommodate most bike widths and manufactured to ISO 9000/14000 quality and environmental standards.

Product Overview

EcoPark offers an ecological and environmental solution to bicycle storage available in one or two door models. EcoPark bicycle lockers are constructed of compression molded (SMC) doors and roof panels where durability is essential. This all weather composite material has high puncture resistance with low heat build up to protect the bicycle inside. Roof components are crowned to avoid water build up, designed with radial edges for modern appeal. Recessed door hinges are coated and have a stainless steel pin for tamper proof protection with interior mounting for security lock handles. Side panels are made of 18 gauge sheet metal, coated with graffiti resistant TGIC polyester powder coat to match the integral coating of the composite material.



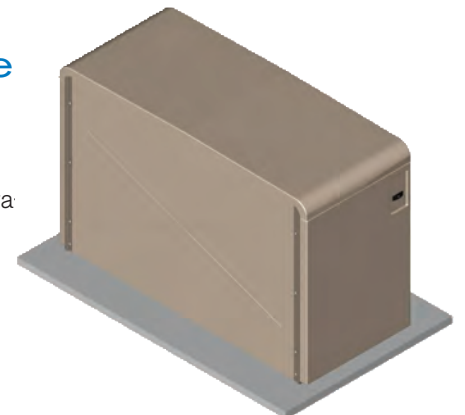
All components are interchangeable and can be relocated, retrofitted or upgraded. Units are shipped knocked down for easy assembly with hand tools or preassembled upon request. Specify individual units or align them in a variety of configurations to meet your site requirements.

Features:

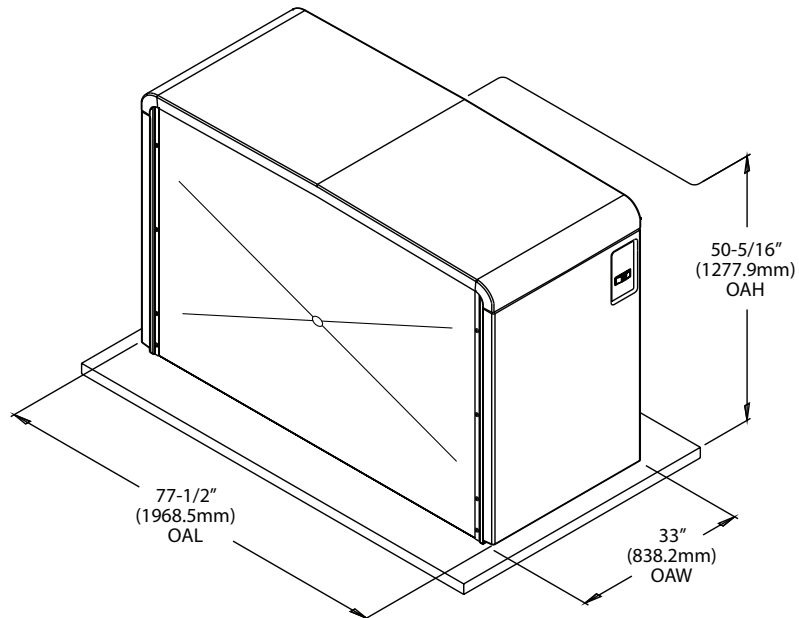
- SMC composite door/top construction
- 18 gauge reinforced steel coated panels
- Rigid interior frame
- UV resistant finish on painted components
- Durable Chicago lock cylinder/keyset
- Corrosion resistant coatings on steel components
- Zinc plated fasteners
- Outdoor duty rated
- Low thermal conductivity
- Ability to relocate, retrofit or expand
- 33" wide x 77-1/2" long
- 410 lbs for single unit
- Low maintenance
- Adjustable mounting feature
- 9 square foot per bike parked
- Easy to install

Setting the Standard for Secure cycle Parking

- Awarded the first bicycle storage patent issued in the U.S.
- Selected by more North American transit agencies, corporations, and institutions than any other cycle storage unit
- Contributes to LEED certification for sustainable sites
- Made in the USA



ECOPARK



Product: EP1 (1 door)
EP2 (2 door)
Holds 1 bike or 2 bikes

Material: High density polyester SMC (sheet molding compound) with long-glass fiber reinforcement. Natural sandstone standard color.

Weight: EP1 168 kg
EP2 208 kg

Colour - Sandstone



ORDER INFORMATION:

- Determine number of bikes to park
- Select Model: EP1 or EP2

Cora Bike Rack
GPO Box 634
Sydney NSW 2001
P: 1800-249-878
F: 1800-249-879
E: sales@cora.com.au
W: cora.com.au

CORA
BIKERACK