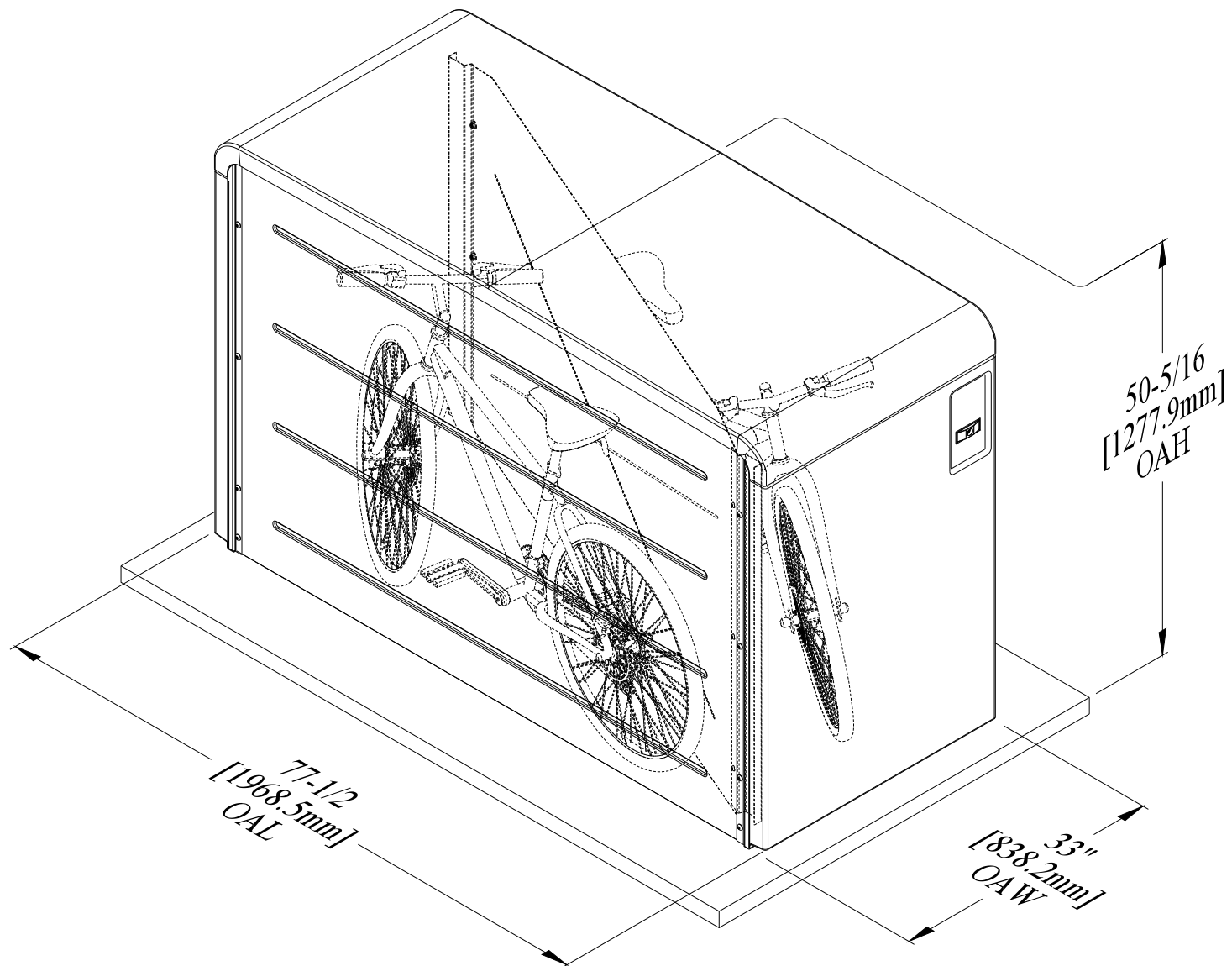
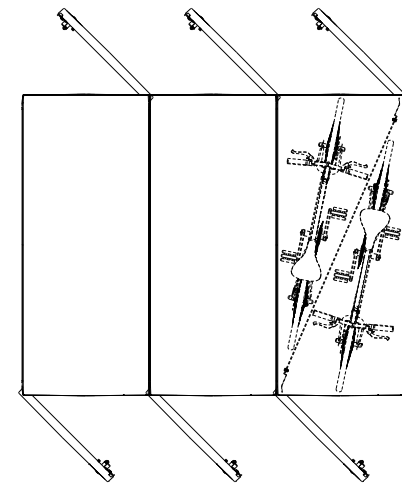
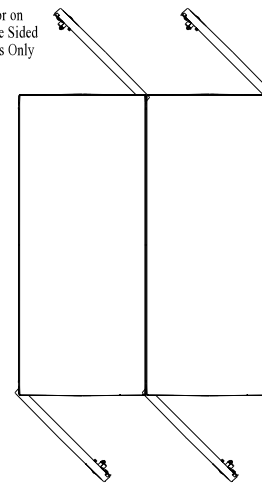
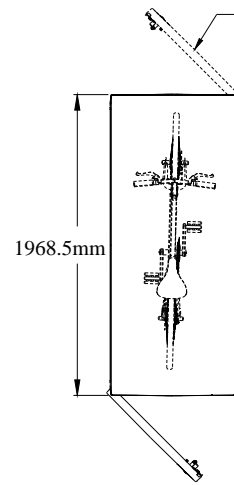
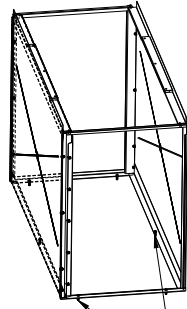
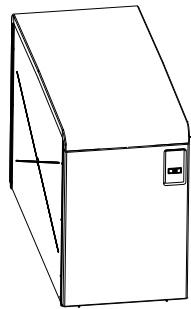


# CycleSafe EcoPark



Cora Bike Rack  
GPO Box 634  
Sydney NSW 2001  
P: 1800-249-878  
F: 1800-249-879  
E: sales@cora.com.au  
W: cora.com.au

CORA  
BIKERACK

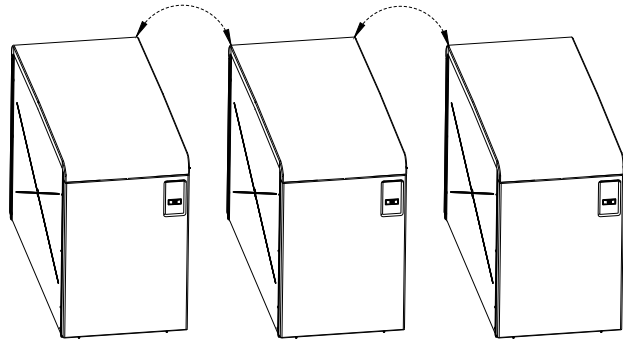
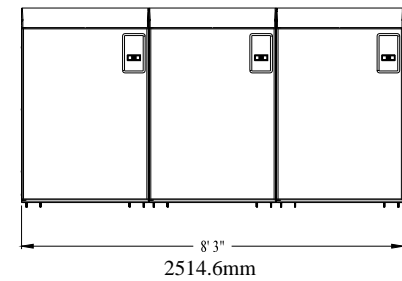
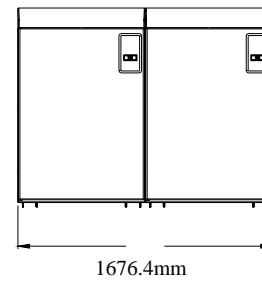
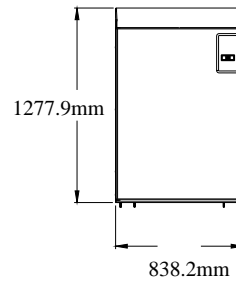
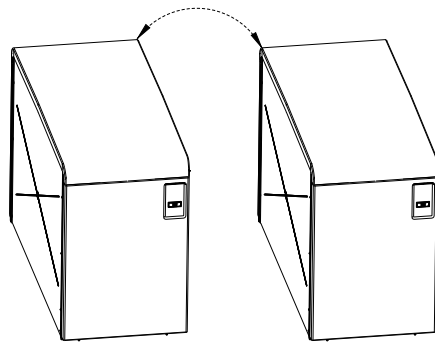


Anchor Bolt  
and Washer  
Located (6) Places  
(2) Front and Back  
(1) Per Side at Center

Single Unit Locker  
Single Sided Access = (1) Bike  
Double Sided Access = (2) Bikes

Double Unit Locker  
Single Sided Access = (2) Bikes  
Double Sided Access = (4) Bikes

Triple Unit Locker  
Single Sided Access = (3) Bikes  
Double Sided Access = (6) Bikes



Cora Bike Rack  
GPO Box 634  
Sydney NSW 2001  
P: 1800-249-878  
F: 1800-249-879  
E: sales@cora.com.au  
W: cora.com.au

Note: Locker Units are stacked "Side-by-Side" and bolted directly into the surface when ganging them together.

No additional hardware is required for this type of configuration.



A	RELEASE FOR PRODUCTION	05/06/10
REV	DESCRIPTION	DATE
<b>EcoPark - EP1/EP2</b>		
REV	LOCKER CONFIGURATIONS	LS 4.1.008
A		

**THE CYCLE-SAFE SYSTEM AREA SITE**

**SYSTEM LOCATION SITE PLAN DETAILS –TOP VIEWS**

Unit Height: 1280mm  
 Door Opening: 760mm  
 Door Arcs: 95 degrees

